

Dual Lan Ethernet I/O Module(Daisy Chain)

EX9250-MTCP(DI*10 w/ Dry/Wet & Isolation & DO*6 w/NPN & Isolation)
Auto-bypass protection

EX9250-MTCP



Main Features

- 2-ports(RJ-45) Ethernet 10/100 Based-T Comm.
 - Daisy chain connection with auto-bypass protection
 - Support Modbus/TCP, TCP/IP, UDP, ICMP, ARP
 - Support Automatic DIO Sync.(peer-to-peer).
 - DO Auto-Off Time Mode.
 - Support 6 Isolated digital output channels (NPN).
 - Support 10 Isolated digital Input Channels(Dry/Wet)
 - Fully Photo-Isolation 3750Vrms
- Protocol: ASCII Format & Modbus TCP

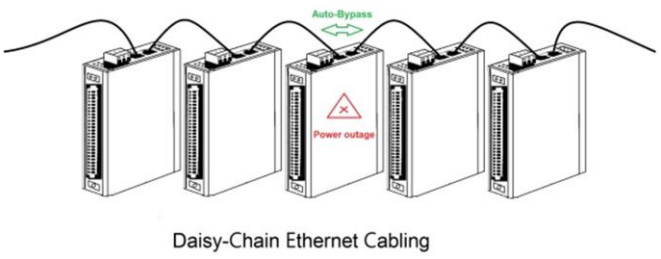


FEATURES

Daisy Chain Networking and Auto-Bypass Protection

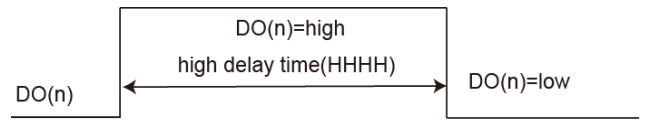
Daisy chain connectivity offers flexible cabling and space saving capabilities. With Ethernet auto-bypass function supported, it prevents accidental power failure if one of the module's unexpectedly shuts down.

EX-9200-MTCP Series

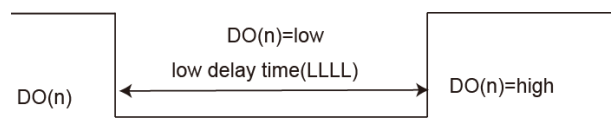


* DO Auto-Off Time Mode.

* Low to High DO(n) pulse output

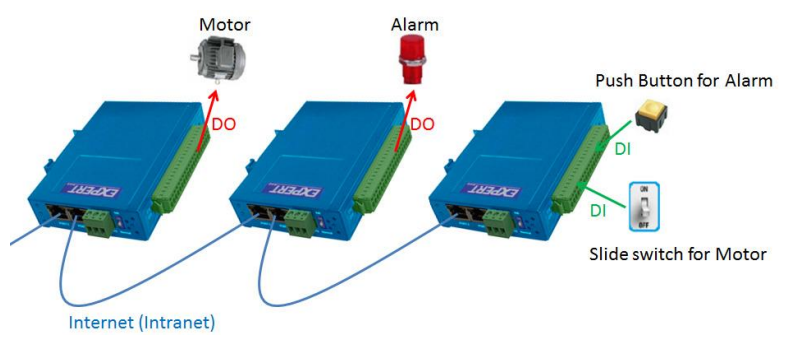


* High to Low DO(n) pulse output

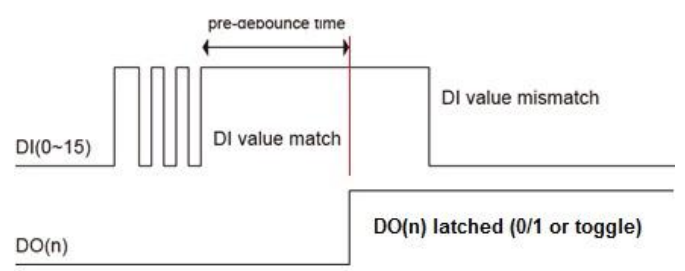


Automatic DIO Synchronization (peer-to-peer)

EX9250-MTCP module also provide a Automatic DIO Synchronization function. With peer-to-peer networking, users can define the mapping between a Pair of EX9250-MTCP series modules so that input values will be directly transferred to output channels. A single digital output channel(Local/ Remote device) is activated(1/0 or toggle)dependent on the digital input channels state data pattern. When the specified DI channels state data pattern changed from "Match" to "Not match" the corresponding DO well be set to active(1 or 0).



DIO Synchronization: DI match/mismatch DO latch mode



Dual Lan Ethernet I/O Module(Daisy Chain)

EX9250-MTCP(DI*10 w/ Dry/Wet & Isolation & DO*6 w/NPN & Isolation)
Auto-bypass protection

Specification

Interface 2-port(RJ45) Ethernet 10/100 Based-T comm.

COMM. Support TCP/IP, UDP, ICMP, ARP

Daisy chain connection with auto-bypass protection

Protocol ASCII Format , Modbus/TCP

Isolation Digital Input: Single ended (Wet/Dry contact)

Channel: 10 channels (DI0~DI9)

Input Level: Logic level status can be inverted via ASCII/Modbus command.

Dry Contact :

Logic level 0 (active) : Close to GND

Logic level 1 (inactive) : Open

Wet Contact :

Logic level 1 (active) : +5V to +30VDC max

Logic level 0 (inactive) : +2VDC max

Input Impedance: 2K ohm(Wet Contact)

Counter input: 300Hz counter input
(32-bit + 1-bit overflow)

Optical Isolation Voltage: 3750Vrms

Isolation Digital Output :

Digital Output: isolated Open collector (NPN) .

Channel: 6 channels (DO0~DO5)

Output logical level: Logic level status can be inverted via ASCII and Modbus TCP command.

Open Collector to +5 ~ 30V / 500 mA max load.

Each channel supports 300Hz pulse output

Optical Isolation Voltage: 3750Vrms

Display:

Command status LED indicator.

10 digital inputs & 6 digital output status LED

Power Requirement:

Power Consumption: 3.5 W (Typical)

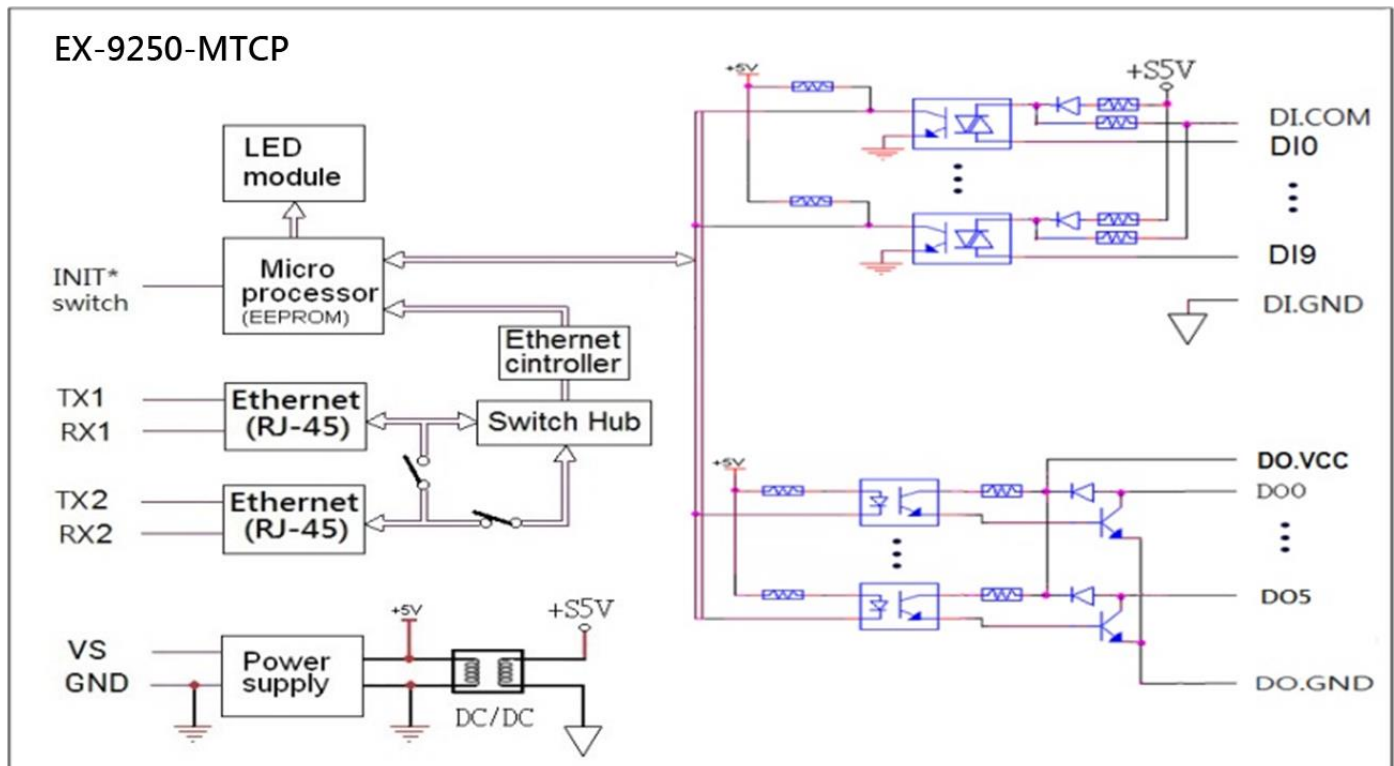
Power Input: +10 ~ +30 VDC

Operating temperature: -10 ~ 70° C (14 ~ 158° F)

Storage temperature : -25 ~ 85° C (13 ~ 185° F)

Humidity: 5 ~ 95% RH, non-condensing

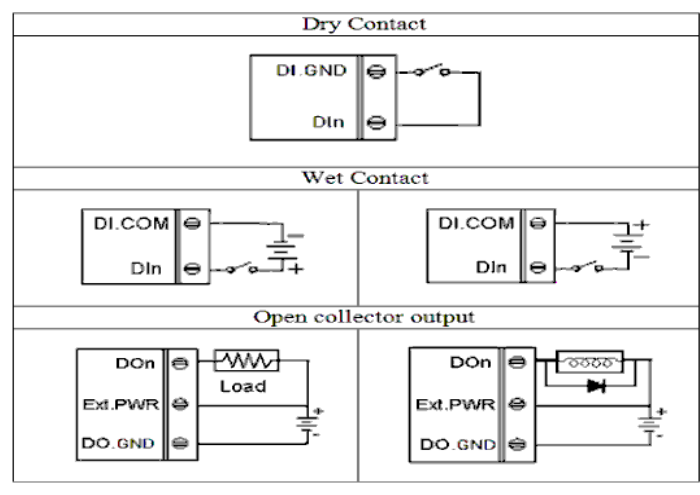
Block Diagram:



Dual Lan Ethernet I/O Module(Daisy Chain)

EX9250-MTCP(DI*10 w/ Dry/Wet & Isolation & DO*6 w/NPN & Isolation)
Auto-bypass protection

Wire Connection:



Order Information:

Relative Products:

- Analog Input: EX9015-MTCP;EX9017MTCP;EX9019MTCP
- Digital Input/ Output:EX9050/51MTCP;EX9053MTCP:EX9055MTCP
- Relay Output: EX9060MTCP; EX9063MTCP

Accessories:

- CD(Utility/ Demo/ DLL/ Library/ Manual/ Wire Connection/ Block Diagram)