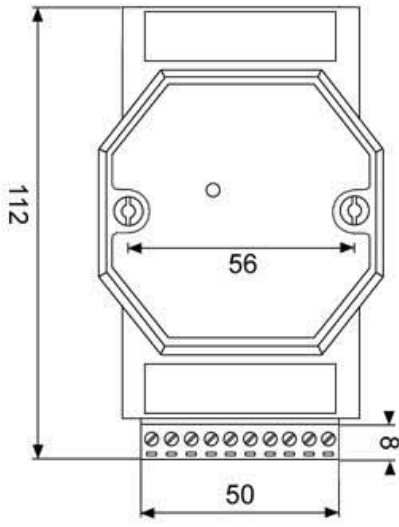
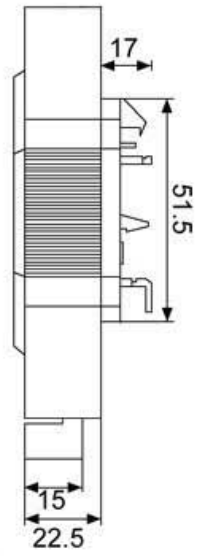


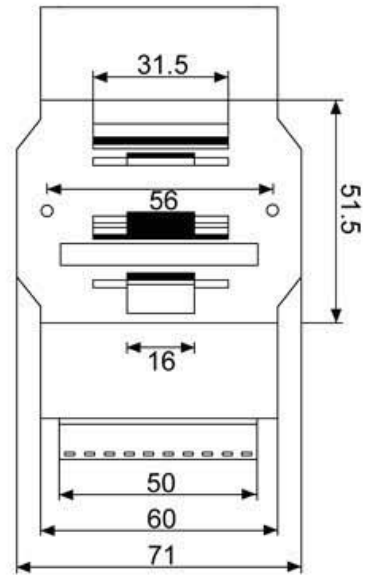
# EX-9531 Dimension



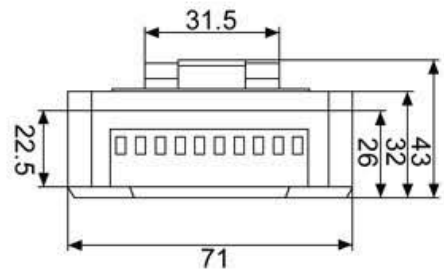
Front View



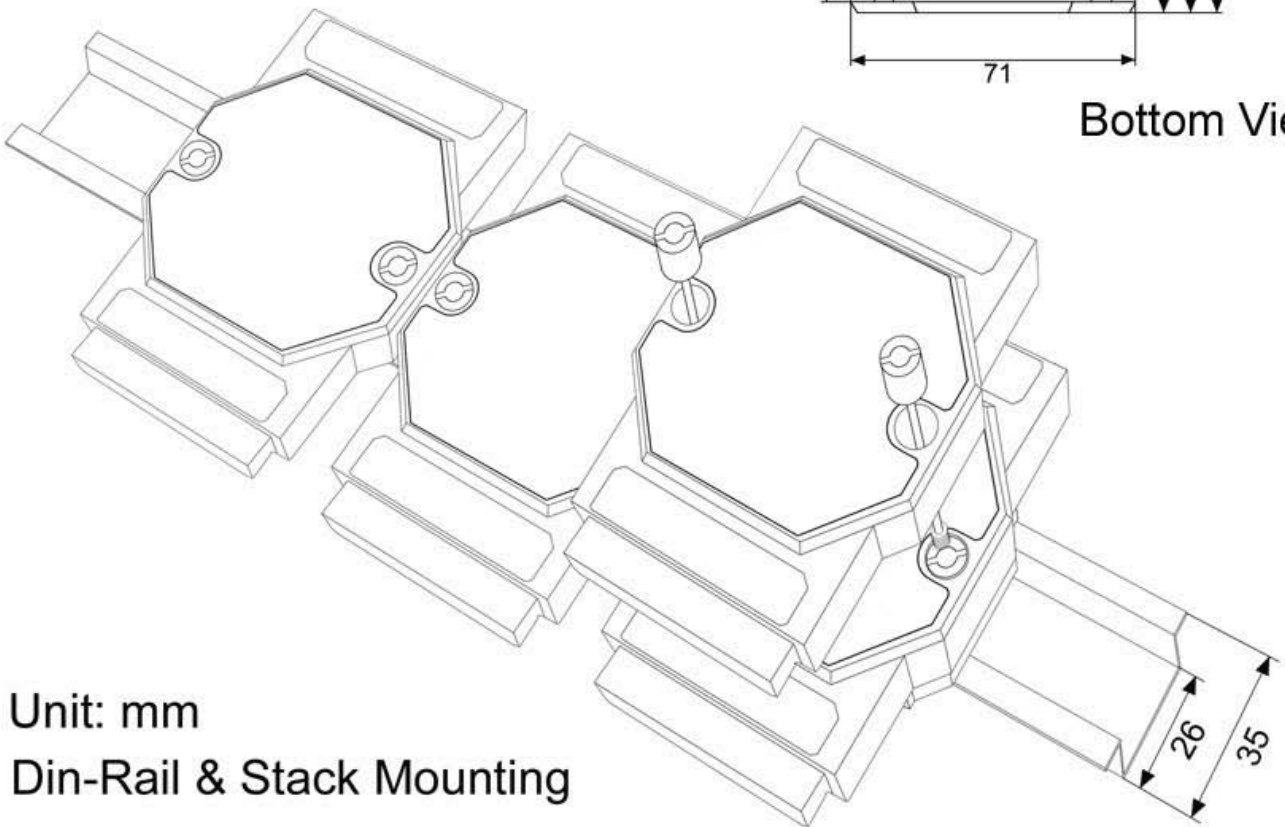
Side View



Back View



Bottom View



Unit: mm

Din-Rail & Stack Mounting