



XBee[®]/XBee-PRO XTC

Radio Frequency (RF) Module

User Guide

Revision history—90001476

Revision	Date	Description
C	May 2016	Removed the indoor range specification. Added Australian certification information. Updated several specifications. Added the HS command. Updated cyclic sleep current numbers. Updated the dimensions.
D	May 2018	Added note on range estimation. Changed IC to ISED.
E	June 2019	Added FCC publication 996369 related information. Changes for 2x06 firmware release.
F	November 2019	Removed all references to the <u>CONFIG</u> line.
G	January 2020	Added IFETEL certifications.

Trademarks and copyright

Digi, Digi International, and the Digi logo are trademarks or registered trademarks in the United States and other countries worldwide. All other trademarks mentioned in this document are the property of their respective owners.

© 2020 Digi International Inc. All rights reserved.

Disclaimers

Information in this document is subject to change without notice and does not represent a commitment on the part of Digi International. Digi provides this document “as is,” without warranty of any kind, expressed or implied, including, but not limited to, the implied warranties of fitness or merchantability for a particular purpose. Digi may make improvements and/or changes in this manual or in the product(s) and/or the program(s) described in this manual at any time.

Warranty

To view product warranty information, go to the following website:

www.digi.com/howtobuy/terms

Customer support

Gather support information: Before contacting Digi technical support for help, gather the following information:

- Product name and model
- Product serial number (s)
- Firmware version
- Operating system/browser (if applicable)

Logs (from time of reported issue)

Trace (if possible)

Description of issue

Steps to reproduce

Contact Digi technical support: Digi offers multiple technical support plans and service packages. Contact us at +1 952.912.3444 or visit us at www.digi.com/support.

Feedback

To provide feedback on this document, email your comments to

techcomm@digi.com

Include the document title and part number (XBee®/XBee-PRO XTC RF Module User Guide, 90001476 G) in the subject line of your email.

Contents

XBee®/XBee-PRO XTC RF Module User Guide

Applicable firmware	10
---------------------------	----

Technical specifications

Performance specifications	12
Power requirements	12
Cyclic sleep current (mA, average)	13
Networking and security specifications	13
General specifications	13
Regulatory conformity summary	14

Hardware

Mechanical drawings	16
Pin signals	17
Recommended pin connections	19

Modes

Transparent and API operating modes	21
Transparent operating mode	21
API operating mode	21
Additional modes	21
Command mode	21
Binary Command mode	21
Idle mode	21
Receive mode	22
Sleep modes	22
Transmit mode	22
Enter Command mode	22
Send AT commands	22
Exit Command mode	23
Enter Binary Command mode	23
Exit Binary Command mode	23
Binary Command mode FAQs	23
Sleep modes	24
Pin Sleep (SM = 1)	25
Serial Port Sleep (SM = 2)	26

Cyclic Sleep Mode (SM = 4 - 8)	26
--------------------------------------	----

Operation

Serial interface	29
UART data flow	29
Serial data	29
Flow control	29
Data In (DIN) buffer and flow control	30
Data Out (DO) buffer and flow control	31

Configure the XTC RF Module

Configure the device using XCTU	33
---------------------------------------	----

Program the XTC RF Module

Programming examples	34
Connect the device to a PC	34
Modify a device address	34
Restore device defaults	35
Send binary commands	35
Query binary commands	36

Commands

Command mode options	39
AT (Guard Time After)	39
BT (Guard Time Before)	40
CC (Command Sequence Character)	40
CF (Number Base)	40
CN (Exit Command Mode)	41
CT (Command Mode Timeout)	41
E0 (Echo Off)	42
E1 (Echo On)	42
Diagnostic commands	42
%V (Board Voltage)	42
DB (Last Packet RSSI)	43
GD (Receive Good Count)	43
HV (Hardware Version)	44
RC (Ambient Power - Single Channel)	44
RE (Restore Defaults)	44
RM (Ambient Power)	45
RP (RSSI PWM Timer)	46
SH (Serial Number High)	46
SL (Serial Number Low)	47
TP (Board Temperature)	47
TR (Transmission Failure Count)	47
VL (Firmware Version - Verbose)	48
VR (Firmware Version - Short)	48
WA (Active Warning Numbers)	49
WN (Warning Data)	49
WS (Sticky Warning Numbers)	51

HS (Hardware Series)	51
MAC/PHY commands	51
AM (Auto-set MY)	51
DT (Destination Address)	52
HP (Preamble ID)	52
ID (Network ID)	53
MK (Address Mask)	53
MT (Multi-transmit)	54
MY (Source Address)	54
RN (Delay Slots)	55
RR (Unicast Mac Retries)	55
TT (Streaming Limit)	56
RF interfacing commands	56
BR (RF Data Rate)	56
FS (Forced Synch Time)	57
MD (RF Mode)	57
PB (Polling Begin Address)	58
PD (Minimum Polling Delay)	58
PE (Polling End Address)	59
PK (Maximum RF Packet Size)	59
PL (TX Power Level)	61
TX (Transmit Only)	61
Security commands	62
KY (AES Encryption Key)	62
Serial interfacing commands	63
AP (API Enable)	63
BD (Interface Data Rate)	63
CD (GP02 Configuration)	65
CS (GP01 Configuration)	65
FL (Software Flow Control)	66
FT (Flow Control Threshold)	66
NB (Parity)	67
RB (Packetization Threshold)	67
RO (Packetization Timeout)	68
RT (GPI1 Configuration)	68
SB (Stop Bits)	69
Sleep commands	69
FH (Force Wakeup Initializer)	69
HT (Time before Wake-up Initializer)	70
LH (Wakeup Initializer Timer)	70
PW (Pin Wakeup)	71
SM (Sleep Mode)	71
ST (Wake Time)	72
Special commands	72
WR (Write)	73

API operation

API mode overview	75
API frame specifications	75
Calculate and verify checksums	77
Escaped characters in API frames	78

API frames

Modem Status - 0x8A	81
Description	81
Modem status codes	82
Examples	82
16-bit Transmit Request - 0x01	84
Description	84
Format	84
Examples	85
Transmit Status - 0x89	86
Description	86
Delivery status codes	87
Examples	87
16-bit Receive Packet - 0x81	89
Description	89
Format	89
Examples	90

Network configurations

Network topologies	92
Point-to-point networks	92
Point-to-multipoint networks	92
Peer to peer networks	93
Addressing	94
Address recognition	95
Basic communications	95
Streaming mode (default)	95
Multi-transmit mode	96
Repeater mode	97
Polling mode (basic)	101
Acknowledged communications: Acknowledged mode	102
Acknowledged mode connection sequence	102
Polling mode (acknowledged)	103

Regulatory information

FCC (United States)	106
OEM labeling requirements	106
FCC notices	106
RF exposure statement	108
FCC antenna certifications	108
XBee-PRO XTC antenna options	109
XBee XTC antenna options	114
FCC publication 996369 related information	119
ISED (Innovation, Science and Economic Development Canada)	121
Labeling requirements	121
Transmitters for detachable antennas	121
Detachables antennas	121
ACMA (Australia)	122
Power requirements	122
IFETEL (Mexico)	123
OEM labeling requirements	123

PCB design and manufacturing

Recommended footprint and keepout	125
Design notes	127
Host board design	127
Improve antenna performance	128
RF pad version	128
Recommended solder reflow cycle	129
Flux and cleaning	130
Rework	130

XBee®/XBee-PRO XTC RF Module User Guide

The XBee/XBee-PRO XTend Compatible (XTC) RF module provides a radio frequency (RF) solution for the reliable delivery of critical data between remote devices. It is a 30 dBm (1 Watt) long-range original equipment manufacturer (OEM) device. We also offer a low power version of this module that offers transmit power adjustable up to 13 dBm.

The XTC module uses Frequency Hopping Spread Spectrum (FHSS) agility to avoid interference by hopping to a new frequency on every packet transmission or re-transmission. Its transmit power is software adjustable up to 30 dBm, which is the maximum output power allowable by governments that use 900 MHz as a license-free band. The XTC module is approved for use in the United States and Canada. The Australia certified module is a separate variant.

The XTC transfers a standard asynchronous serial data stream, operates within the ISM 900 MHz frequency band and offers two RF data rates of 10 kb/s and 125 kb/s for the United States and Canada variant. The Australia variant offers two data rates of 10 kb/s and 105 kb/s.

As the name suggests, the XTC is over-the-air compatible with Digi's XTend module. The XTC is not a drop-in replacement for the XTend. If you require form factor compatibility, you must use the XTend vB RF Module.

For new applications, we recommend that you use the XBee/XBee-Pro SX module. It uses the same hardware as the XTC but we optimize the firmware for the best range and interference immunity. However, it is not over-the-air compatible with the XTend.

Applicable firmware10

Applicable firmware

This manual supports the following firmware:

- 0x2X0X for XTC Hopping

Technical specifications

The following tables provide the device's technical specifications.



WARNING! When operating at 1 W power output, observe a minimum separation distance of 6 ft (2 m) between devices. Transmitting in close proximity of other devices can damage the device's front end.

Performance specifications	12
Power requirements	12
Networking and security specifications	13
General specifications	13
Regulatory conformity summary	14

Performance specifications

The following table describes the performance specifications for the devices.

Note Range figure estimates are based on free-air terrain with limited sources of interference. Actual range will vary based on transmitting power, orientation of transmitter and receiver, height of transmitting antenna, height of receiving antenna, weather conditions, interference sources in the area, and terrain between receiver and transmitter, including indoor and outdoor structures such as walls, trees, buildings, hills, and mountains.

Specification		XBee XTC	XBee-PRO XTC
Frequency range		ISM 902 to 928 MHz US/Canada 915 to 928 MHz Australia	
RF data rate (software selectable)		10 kb/s to 125 kb/s US/Canada 10 kb/s to 105 kb/s Australia	
Transmit power (software selectable)		Up to 13 dBm	Up to 30 dBm ¹
Channels		10 hopping sequences share 50 frequencies	
Available channel frequencies		50	
UART data rate (software selectable)		1200 - 230400 b/s	
Receiver sensitivity	10 kb/s	-110 dBm	
	125 kb/s	-100 dBm	
Outdoor range (line of sight)	10 kb/s	Up to 5 miles	up to 40 miles ²
	125 kb/s	Up to 1.5 miles	Up to 7 miles

Power requirements

The following table describes the power requirements for the XTC RF Module.

Specification		XBee XTC	XBee-PRO XTC
Supply voltage		2.4 to 3.6 VDC, 3.3 V typical	2.6 to 3.6 VDC, 3.3 V typical
Receive current	VCC = 3.3 V	40 mA	40 mA
Transmit current	VCC = 3.3 V	55 mA @ 13 dBm	900 mA @ 30 dBm
	VCC = 3.3 V	45 mA @ 10 dBm	640 mA @ 27 dBm
	VCC = 3.3 V	35 mA @ 0 dBm	350 mA @ 21.5 dBm
Pin sleep current		2.5 µA	2.5 µA

¹130 dBm typical at 3.3 V and above. Maximum transmit power will reduce at lower voltages. See [PL \(TX Power Level\)](#) for more information on adjustable power levels.

²Estimated based on a 9 mile range test with dipole antennas.

Cyclic sleep current (mA, average)

Sleep mode	Cycle time	RF data rate	Cyclic sleep current (mA, average)
SM = 8	16 seconds	BR = 0	0.58
		BR = 1	0.09
SM = 7	8 seconds	BR = 0	1.13
		BR = 1	0.18
SM = 6	4 seconds	BR = 0	2.20
		BR = 1	0.36
SM = 5	2 seconds	BR = 0	4.16
		BR = 1	0.72
SM = 4	1 second	BR = 0	7.50
		BR = 1	1.40

Networking and security specifications

The following table describes the networking and security specifications for the devices.

Specification	Value
Frequency	902-928 MHz, 915-928 MHz for the International variant
Spread spectrum	Frequency Hopping Spread Spectrum (FHSS)
Modulation	Frequency Shift Keying (FSK/GFSK)
Supported network topologies	Peer-to-peer (master/slave relationship not required), point-to-point, and point-to-multipoint
Channel capacity	10 hop sequences share 50 frequencies
Encryption	Encryption is disabled by default, to enable encryption use the KY command to set a key. International variants use 128-bit AES and North American variants use 256-bit AES encryption. For more details see KY (AES Encryption Key) .

General specifications

The following table describes the general specifications for the devices.

Specification	Value
Dimensions	3.38 x 2.21 x 0.32 cm (1.33 x 0.87 x 0.125 in)

Specification	Value
Weight	3 g
RoHS	Compliant
Manufacturing	ISO 9001:2000 registered standards
Connector	37 castellated SMT pads
Antenna connector options	U.FL or RF pad
Antenna impedance	50 Ω unbalanced
Maximum input RF level at antenna port	6 dBm
Operating temperature	-40 °C to 85 °C
Digital outputs	Two (2) output lines

Regulatory conformity summary

This table describes the agency approvals for the devices.

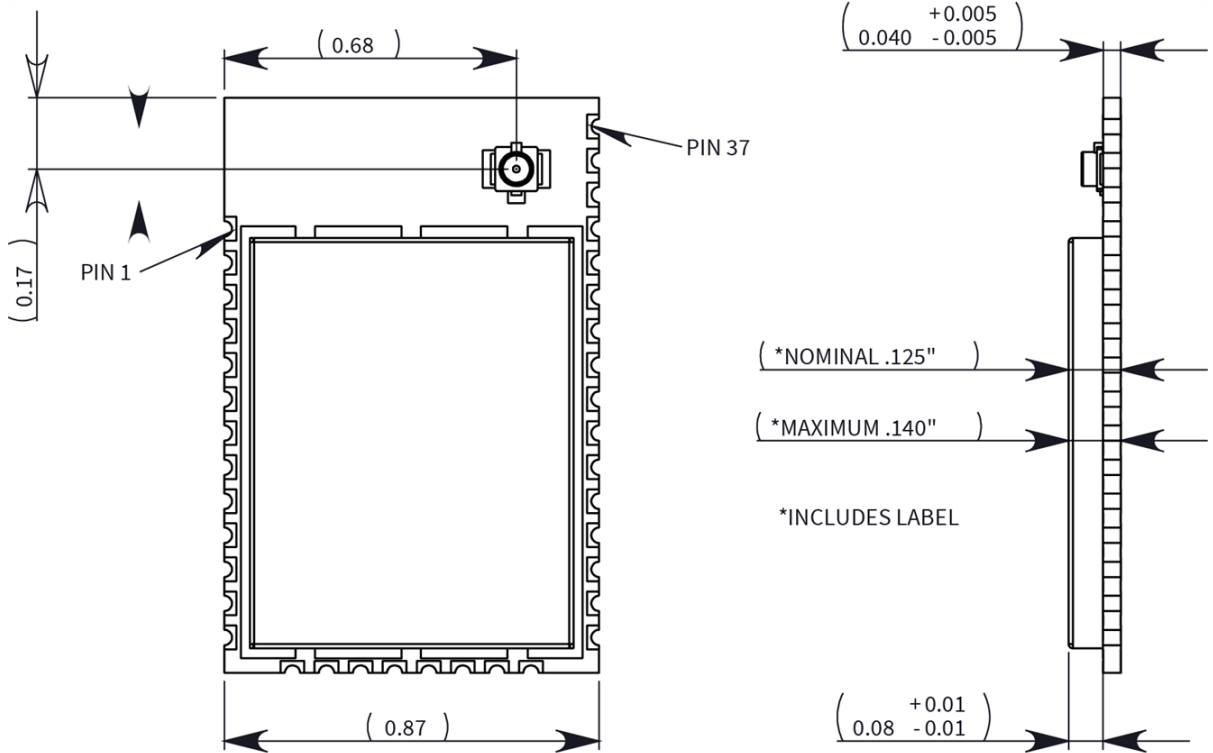
Country	XBee XTC	XBee-PRO XTC
United States	FCC ID: MCQ-XBSX	FCC ID: MCQ-XBPSX
Canada	IC: 1846A-XBSX	IC: 1846A-XBPSX
Australia	RCM	RCM
Mexico	RCPDIXB19-1819	RCPDIXB19-2288

Hardware

Mechanical drawings	16
Pin signals	17

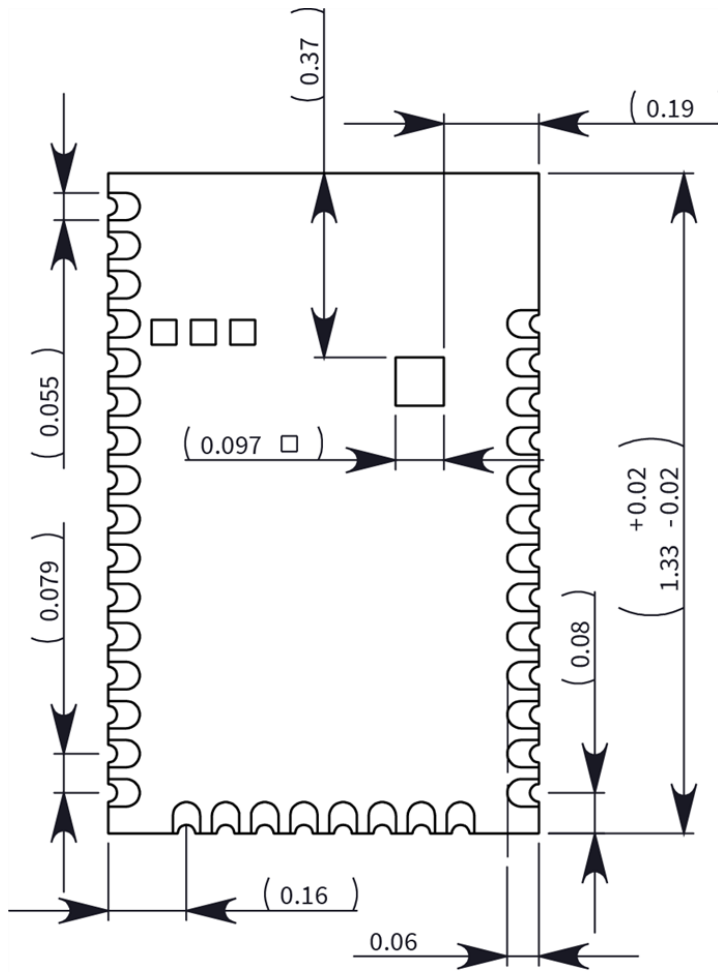
Mechanical drawings

The following images show the XTC mechanical drawings. The XTC has the same form factor as other Digi surface-mount (SMT) XBee devices, except there is an additional copper ground pad on the bottom.



TOP VIEW

SIDE VIEW



BOTTOM VIEW

Pin signals

The following table describes the pin signals. Low-asserted signals have a horizontal line over the signal name.

Pin	Designation	I/O	Function
1	GND	-	Ground
2	VCC	I	Power supply
3	DOUT	O	UART Data Out
4	DIN	I	UART Data In

Pin	Designation	I/O	Function
5	GPO2/RX LED	O	General Purpose Output / RX LED
6	$\overline{\text{RESET}}$	I	Module reset
7	RSSI	O	RX Signal Strength Indicator
8		-	Disabled
9	Reserved	NC	Do not connect
10	SLEEP (DTR)	I	Pin Sleep Control Line
11	GND	-	Ground
12		-	Disabled
13	GND	-	Ground
14		-	Disabled
15		-	Disabled
16		-	Disabled
17		-	Disabled
18	Reserved	NC	Do not connect
19	Reserved	NC	Do not connect
20	Reserved	NC	Do not connect
21	Reserved	NC	Do not connect
22	GND	-	Ground
23	Reserved	NC	Do not connect
24		-	Disabled
25	GPO1/ $\overline{\text{CTS}}$ /RS-485 TX_EN	O	General Purpose Output / Clear-to-Send Flow Control / RS-485 Transmit Enable
26	$\overline{\text{ON/SLEEP}}$	O	Module sleep status indicator
27	Reserved	NC	Do not connect
28	$\overline{\text{TX_PWR}}$	O	Transmit power
29	$\overline{\text{RTS/CMD}}$	I	Request-to-Send Flow Control / Binary Command Control
30		-	Disabled
31		-	Disabled
32		-	Disabled

Pin	Designation	I/O	Function
33	Reserved	NC	
34	Reserved	NC	
35	GND	-	Ground
36	RF	I/O	RF I/O for RF pad variant
37	NC	NC	
38	GND	-	Ground pad for heat transfer to host PCB

Note If you integrate the XTC RF Module with a host PC board, leave all lines you do not use disconnected (floating).

Recommended pin connections

The only required pin connections are VCC, GND, DOUT and DIN. To support serial firmware updates, you should connect VCC, GND, DOUT, DIN, RTS, and SLEEP (DTR).

Modes

The XTC RF Module is in Receive Mode when it is not transmitting data. The device shifts into the other modes of operation under the following conditions:

- Transmit mode (Serial data in the serial receive buffer is ready to be packetized)
- Sleep mode
- Command Mode (Command mode sequence is issued)

Transparent and API operating modes	21
Additional modes	21
Sleep modes	24

Transparent and API operating modes

The firmware operates in several different modes. Two top-level modes establish how the device communicates with other devices through its serial interface: Transparent operating mode and API operating mode.

Transparent operating mode

Devices operate in this mode by default. The device acts as a serial line replacement when it is in Transparent operating mode. The device queues all UART data it receives through the DIN pin for RF transmission. When a device receives RF data, it sends the data out through the DOUT pin. You can set the configuration parameters using the AT Command interface.

API operating mode

API operating mode is an alternative to Transparent mode. API mode is a frame-based protocol that allows you to direct data on a packet basis. It can be particularly useful in large networks where you need control over the operation of the radio network or when you need to know which node a data packet originated from. The device communicates UART data in packets, also known as API frames. This mode allows for structured communications with serial devices. It is helpful in managing larger networks and is more appropriate for performing tasks such as collecting data from multiple locations or controlling multiple devices remotely.

For more information, see [API frame specifications](#).

Additional modes

In addition to the serial communication modes, several modes apply to how to configure devices and how devices communicate with each other.

Command mode

Command mode is a state in which the firmware interprets incoming characters as commands. Command mode allows you to modify the device's firmware using parameters you can set using AT commands. When you want to read or set any setting of the device, you have to send it an AT command. Every AT command starts with the letters "AT" followed by the two characters that identify the command the device sends and then by some optional configuration values. For more details, see [Enter Command mode](#).

Binary Command mode

Binary Command mode allows you to configure a device at a faster rate than AT commands will allow. Using binary commands to send and receive parameter values is the fastest way to change the operating parameters of the device. Use binary commands to:

- Sample signal strength and/or error counts;
- Change device addresses and channels for polling systems when a quick response is necessary.

For more details, see [Enter Binary Command mode](#) and [DB \(Last Packet RSSI\)](#).

Idle mode

When not receiving or transmitting data, the device is in Idle mode. During Idle mode, the device listens for valid data on the serial port.

Receive mode

If a destination node receives a valid RF packet, the destination node transfers the data to its serial transmit buffer. For the serial interface to report receive data on the RF network, that data must meet the following criteria:

- ID match
- Channel match
- Address match

Sleep modes

Sleep Modes enable the device to enter states of low-power consumption when not in use. The device supports three software sleep modes:

- Pin Sleep: the host controls this
- Serial Port Sleep: wakes when it detects serial port activity
- Cyclic Sleep: wakes when it detects RF activity

For more information, see [Sleep modes](#).

Transmit mode

When the device receives serial data and is ready to packetize it, the device exits Idle mode and attempts to transmit the serial data.

Enter Command mode

There are two ways to enter Command mode:

1. To get a device to switch into this mode, you must issue a unique string of text in a special way: +++ (default). When the device sees a full second of silence in the data stream followed by the string +++ (without Enter or Return) and another full second of silence, it knows to stop sending data through and start accepting commands locally.
Do not press Return or Enter after typing +++ because it will interrupt the guard time silence and prevent you from entering Command mode.
2. If a serial break (DIN held low) signal is sent for over five seconds, the device resets, and it boots into Command mode with default baud settings (9600 baud).
3. If a serial break is observed upon boot, Command mode will similarly be entered.

The device sends the letters **OK** followed by a carriage return out of the UART to indicate that it entered Command mode.

You can customize the guard times and timeout in the device's configuration settings. See [CC \(Command Sequence Character\)](#), [BT \(Guard Time Before\)](#) and [AT \(Guard Time After\)](#).

Send AT commands

Once the device enters Command mode, use the syntax in the following figure to send AT commands. Every AT command starts with the letters **AT**, which stands for "attention." The **AT** is followed by two characters that indicate which command is being issued, then by some optional configuration values. To read a parameter value stored in the device's register, omit the parameter field.



The preceding example enables software flow control.

Multiple AT commands

You can send multiple AT commands at a time when they are separated by a comma in Command mode; for example, **ATSH,SL**.

Parameter format

Refer to the list of AT commands for the format of individual AT command parameters. Valid formats for hexadecimal values include with or without a leading **0x** for example **FFFF** or **0xFFFF**.

Response to AT commands

When reading parameters, the device returns the current parameter value instead of an **OK** message.

Exit Command mode

1. Send [CN \(Exit Command Mode\)](#) followed by a carriage return.
or:
2. If the device does not receive any valid AT commands within the time specified by [CT \(Command Mode Timeout\)](#), it returns to Transparent or API mode. The default Command mode timeout is 10 seconds.

For an example of programming the device using AT Commands and descriptions of each configurable parameter, see [Commands](#).

Enter Binary Command mode

To enter Binary Command mode, you must first be in Command mode:

1. Set **RT** to 1; see [RT \(GPI1 Configuration\)](#).
2. Assert **CMD** by driving pin 29 high to enter Binary Command mode.
3. Disable hardware flow control.

$\overline{\text{CTS}}$ (pin 25) is high when the firmware executes a command. That is why you must disable hardware flow control, because $\overline{\text{CTS}}$ holds off parameter bytes.

Exit Binary Command mode

To exit Binary Command mode, de-assert **CMD** by driving pin 29 low.

Binary Command mode FAQs

Since sending and receiving binary commands takes place through the same serial data path as live data, interference between the two types of data can be a concern. Some common questions about using binary commands are:

- What are the implications of asserting CMD while the device is sending or receiving live data?

You must assert the CMD pin (pin 29) in order to send binary commands to the device. You can assert the CMD pin to recognize binary commands anytime during the transmission or reception of data.

The device only checks the status of the CMD signal at the end of the stop bit as the byte shifts into the serial port.

The firmware does not allow control over when the device receives data, except by waiting for dead time between bursts of communication.

If the command is sent in the middle of a stream of payload data, the device executes the command in the order it is received. If the device is continuously receiving data, it waits for a break in the data it receives before executing the command.

- After sending serial data, is there a minimum time delay before you can assert CMD?
- Is a time delay required after CMD is de-asserted before payload data can be sent?

The host must observe a minimum time delay of 100 μ s after sending the stop bit of the command byte before the host de-asserts the CMD pin. The command executes after the host sends all of its associated parameters. If the device does not receive all of these parameters within 0.5 seconds, the device returns to Idle mode.

Note When a host sends parameters, they are two bytes long with the least significant byte sent first. Binary commands that return one parameter byte must be written with two parameter bytes. Example: to set **PL** to 3, send the following data: 0x3A 0x03 0x00 (Binary Command, LSB, MSB).

- How do I discern between live data and data received in response to a command?

To query command parameters using Binary Command mode, set the most significant bit of the binary command. This can be accomplished by logically ORing (bit-wise) the binary command with hexadecimal 0x80. The parameter bytes are returned in hexadecimal bytes with the least significant bit first (if multiple bytes are returned).

Example: to query **HP** in Binary Command mode, instead of setting it, send 0x11 (**HP** binary command) as 0x91 with no parameter bytes.

The device must be in Binary Command mode in order for the device to recognize a binary command; see [Enter Binary Command mode](#).

If the device is not in Binary Command mode (the **RT** parameter value is not 1), the device does not recognize that the CMD pin is asserted and therefore does not recognize the data as binary commands.

For an example of binary programming, see [Send binary commands](#).

Sleep modes

For the device to enter one of the sleep modes, **SM** must have a non-zero parameter value, and it must meet one of the following conditions:

1. The device is idle (no data transmission or reception) for the amount of time defined by the **ST** parameter. **ST** is only active when **SM** = **2** or **4 - 8**.
2. The host asserts SLEEP (pin 10). This only applies to the Pin Sleep option.

When in Sleep mode, the device does not transmit or receive data until it transitions to Idle mode.

Use the **SM** command to enable or disable all Sleep modes. The following table shows the transitions into and out of Sleep modes.

Sleep mode (setting)	Transition into Sleep mode	Transition out of Sleep mode (wake)	Related commands	Power consumption
Pin Sleep (SM = 1)	Assert (high) SLEEP pin. A microcontroller can shut down and wake devices via the SLEEP pin. The device completes a transmission or reception before activating Pin Sleep.	De-assert (low) SLEEP pin	SM	2.5 μ A
Serial Port Sleep (SM = 2)	Automatic transition to Sleep Mode occurs after a user-defined period of inactivity (no transmitting or receiving of data). Period of inactivity is defined by the ST command.	When a serial byte is received on the DI pin	(SM), ST	6.3 mA
Cyclic Sleep (SM = 4 - 8)	The device transitions in and out of Sleep Mode in cycles (you set the sleep interval of time using the SM command). The cyclic sleep interval of time must be shorter than the interval of time that is defined by the LH command. You can force the device into Idle Mode using the SLEEP pin if you send the PW command.		(SM), ST, HT, LH, PW	See Power requirements

The **SM** (Sleep Mode) command is central to setting all Sleep Mode configurations. By default, Sleep Modes are disabled (**SM** = 0) and the device remains in Idle/Receive Mode. When in this state, the device remains constantly ready to respond to serial or RF activity.

Note When the device sleeps, the RSSI pin is pulled high by design.

Pin Sleep (SM = 1)

- Pin/Host-controlled
- Typical sleep current: 2.5 μ A

When the host asserts the SLEEP pin, the device finishes any transmitting or receiving activity, enters Idle mode, then enters a sleep state. When in Pin Sleep mode, the device does not respond to serial or RF activity.

After enabling Pin Sleep, the SLEEP pin controls whether the device is active or sleeping. When the host de-asserts SLEEP, the device is fully operational. When the host asserts SLEEP, the device transitions to Sleep mode and remains in its lowest power-consuming state until the host de-asserts the pin. This pin is only active if the device is setup to operate in this mode; otherwise the firmware ignores the pin.

Once in Pin Sleep, the device de-asserts (high) $\overline{\text{CTS}}$ (pin 25), indicating that other devices should not send data to the device. The device also de-asserts (low) the TX_PWR line (pin 28) when the device is in Pin Sleep mode.

You cannot assert the SLEEP (pin9) until the transmission of the second byte has started.

Note The device completes a transmission or reception before activating Pin Sleep.

Serial Port Sleep (SM = 2)

- Wake on serial port activity
- Typical sleep current: 6.3 mA

Serial Port Sleep is a Sleep mode in which the device runs in a low power state until it detects serial data on the DI pin.

The **ST** command determines the period of time that the device sleeps. Once it receives a character through the DI pin, the device returns to Idle mode and is fully operational.

Cyclic Sleep Mode (SM = 4 - 8)

- Typical sleep current: see [Power requirements](#)

Cyclic Sleep modes allow device wakes according to the times designated by the cyclic sleep settings. If the device detects a wake-up initializer during the time it is awake, the device synchronizes with the transmitting device and receives data after the wake-up initializer runs its duration. Otherwise, the device returns to Sleep mode and continues to cycle in and out of activity until a wake-up initializer is detected.

While the device is in Cyclic Sleep mode, it de-asserts (high) $\overline{\text{CTS}}$ (pin 25) to indicate not to send data to the device. When the device awakens to listen for data, it asserts $\overline{\text{CTS}}$ and transmits any data received on the DI pin. The device also de-asserts (low) the TX_PWR (pin 28) when it is in Cyclic Sleep mode.

The device remains in Sleep mode for a user-defined period of time ranging from 1 second to 16 seconds (**SM** parameters 4 through 8). After this interval of time, the device returns to Idle mode and listens for a valid data packet. The listen time depends on the **BR** parameter setting. The default **BR** setting of 1 requires at least a 35 ms wake time, while the **BR** setting of 0 requires a wake time of up to 225 ms. If the device does not detect valid data on any frequency, it returns to Sleep mode. If it detects valid data, it transitions into Receive mode and receives the incoming RF packets. The device then returns to Sleep mode after a period of inactivity determined by the **ST** parameter.

You can also configure the device to wake from cyclic sleep when the SLEEP pin is de-asserted. To configure a device to operate in this manner, you must send the **PW** (Pin Wake-up) command. When you de-assert the SLEEP pin, it forces the device into Idle mode and it can begin transmitting or receiving data. It remains active until it no longer detects data for the time that **ST** specifies, at which point it resumes its low-power cyclic state.

Cyclic scanning

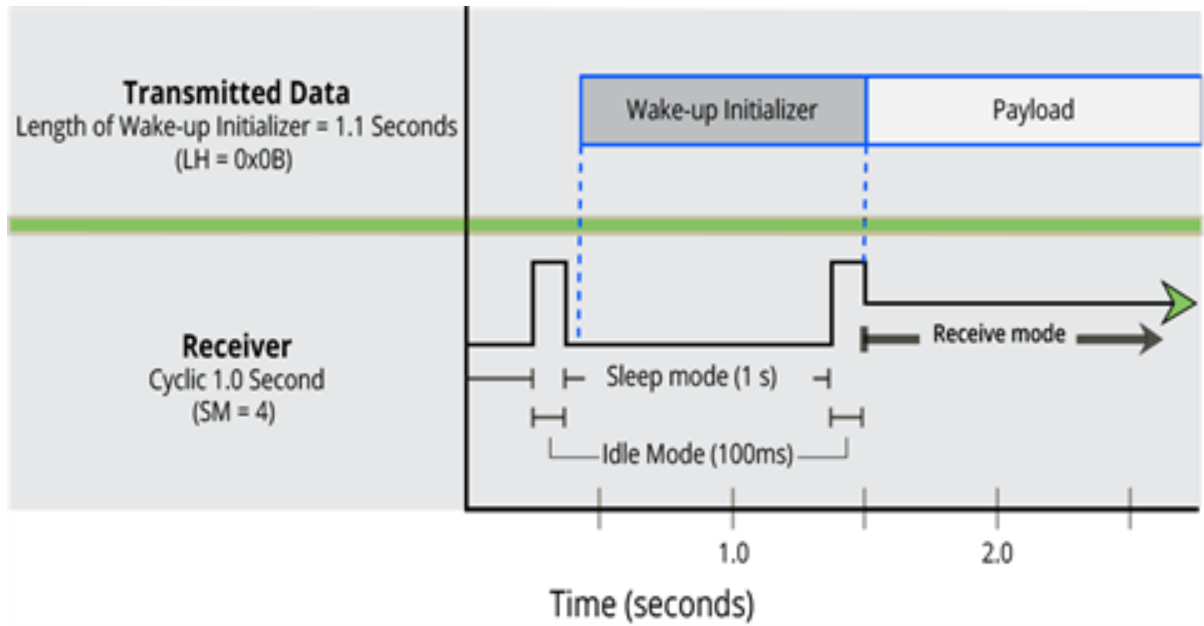
Each RF transmission consists of an RF initializer and payload. The RF initializer contains initialization information and all receiving devices must wake during the wake-up initializer portion of data transmission in order to synchronize with the transmitting device and receive the data.

The cyclic interval time defined by the **SM** (Sleep Mode) command must be shorter than the interval time defined by **LH** (Wake-up Initializer Timer) command.

Correct configuration (LH > SM)

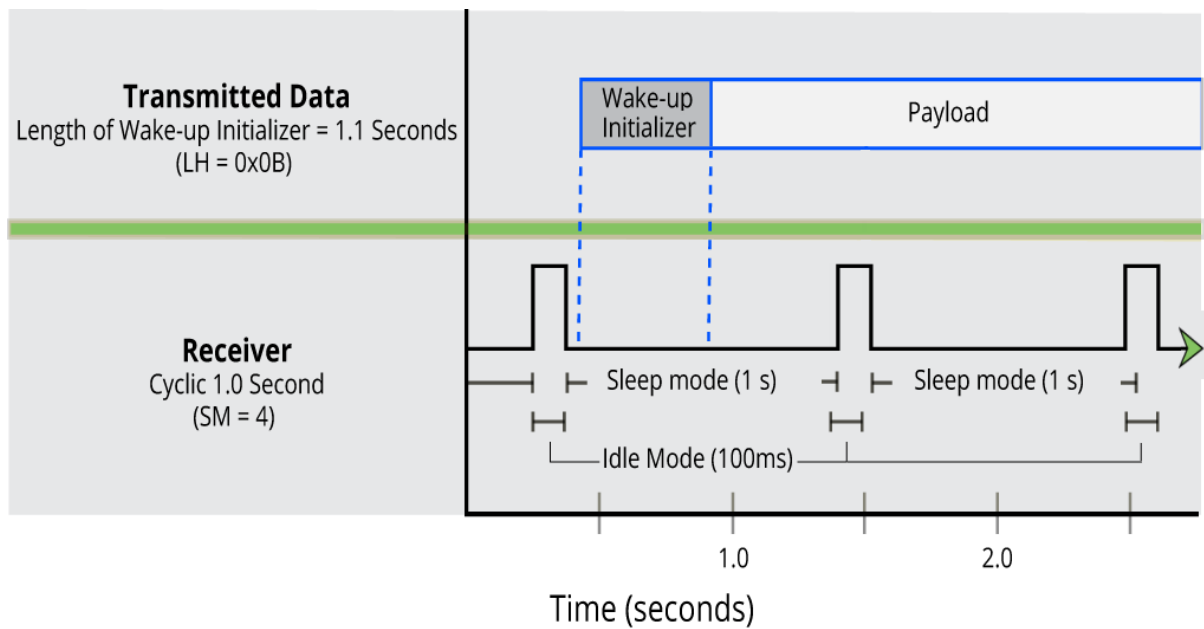
In the following figure, the length of the wake-up initializer exceeds the time interval of Cyclic Sleep. The receiver is guaranteed to detect the wake-up initializer and receive the accompanying payload data.

The **LH** (Wakeup Initializer Timer) is only enabled if the **HT** (Time before Wake-up Initializer) is non-default. The Wakeup Initializer is resent at the beginning of every packet unless the **HT** is set. Set **HT** less than or equal to the **ST** (Wake Time) such that once the XTC RF Module has received the Wakeup Initializer, another Wakeup Initializer need not be sent again until the expiration of the **ST** has expired.



Incorrect configuration (LH < SM)

Length of wake-up initializer is shorter than the time interval of Cyclic Sleep. This configuration is vulnerable to the receiver waking and missing the wake-up initializer (and therefore also the accompanying payload data).



Operation



WARNING! When operating at 1 W power output, observe a minimum separation distance of 6 ft (2 m) between devices. Transmitting in close proximity of other devices can damage the device's front end.

Serial interface	29
UART data flow	29
Serial data	29
Flow control	29

Serial interface

The XTC RF Module provides a serial interface to an RF link. The XTC RF Module converts serial data to RF data and sends that data to any over-the-air compatible device in an RF network. The device can communicate through its serial port with any logic and voltage compatible universal asynchronous receiver/transmitter (UART), or through a level translator to any serial device.

UART data flow

Devices that have a UART interface connect directly to the pins of the XTC RF Module as shown in the following figure. The figure shows system data flow in a UART-interfaced environment. Low-asserted signals have a horizontal line over the signal name.

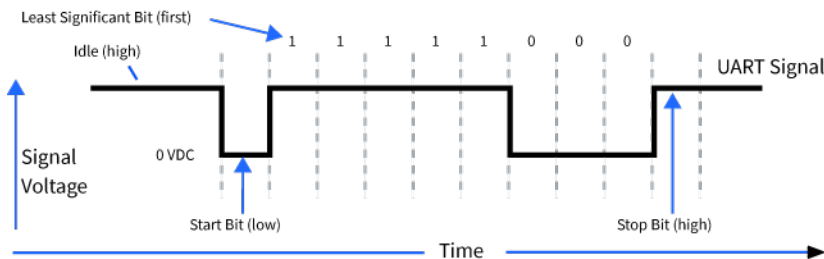


Serial data

A device sends data to the XTC RF Module's UART through pin 4 DIN as an asynchronous serial signal. When the device is not transmitting data, the signals should idle high.

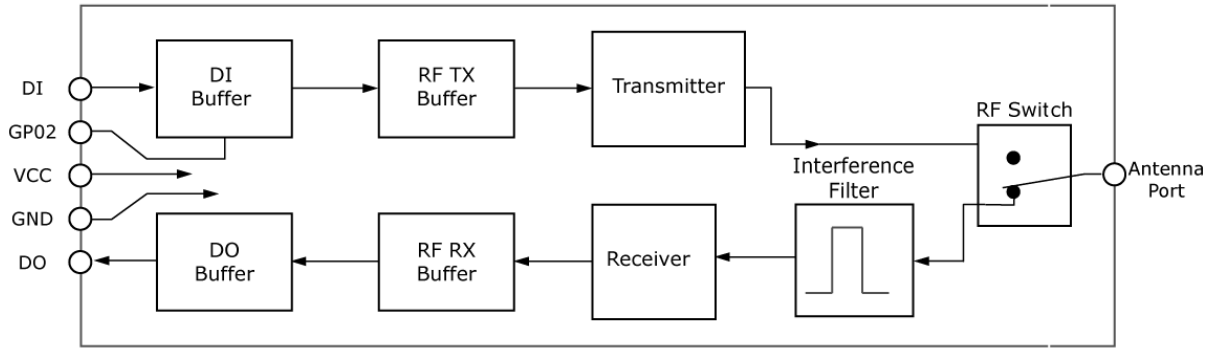
For serial communication to occur, you must configure the UART of both devices (the microcontroller and the XTC RF Module) with compatible settings for the baud rate, parity, start bits, stop bits, and data bits.

Each data byte consists of a start bit (low), 8 data bits (least significant bit first) and a stop bit (high). The following diagram illustrates the serial bit pattern of data passing through the device. The diagram shows UART data packet 0x1F (decimal number 31) as transmitted through the device.



Flow control

The \overline{RTS} and \overline{CTS} device pins provide \overline{RTS} and/or \overline{CTS} flow control. \overline{CTS} flow control signals the host to stop sending serial data to the device. \overline{RTS} flow control lets the host signal the device so it will not send the data in the serial transmit buffer out the UART. The following diagram shows the internal data flow, with the five most common pin signals.



The firmware has Hardware flow control ($\overline{\text{CTS}}$) configured by default. You must configure $\overline{\text{CTS}}$ flow control on the host side for it to work.

You must configure Software flow control (XON) on both the host and device side for it to work.

If you change the **CS** command from 0, then $\overline{\text{CTS}}$ flow control will not work even if you have it configured on the host.

Data In (DIN) buffer and flow control

When serial data enters the device through the DIN pin (pin 4), it stores the data in the DIN buffer until it can process the data.

When the firmware satisfies the **RB** and **RO** parameter thresholds, the device attempts to initialize an RF transmission. If the device is already receiving RF data, it stores the serial data in the device's DIN buffer.

The device creates and transmits data packets when it meets one of the following conditions:

1. The device does not receive any serial characters for the amount of time set with in the **RO** command; see [RO \(Packetization Timeout\)](#).
2. The device receives the maximum number of characters that fits in an RF packet.
3. The device receives the Command Mode sequence.

If the DIN buffer becomes full, you must implement hardware or software flow control in order to prevent overflow (loss of data between the host and the device). To eliminate the need for flow control:

1. Send messages that are smaller than the DIN buffer size. The size of the DIN buffer varies according to the packet size (**PK** parameter) and the parity setting (**NB** parameter) you use.
2. Interface at a lower baud rate (**BD** parameter) than the RF data rate of the firmware (**BR** parameter) of the firmware.

In the following situations, the DIN buffer may become full and overflow:

1. If you set the serial interface data rate higher than the RF data rate of the device, the device receives data from the host faster than it can transmit the data over-the-air.
2. If the device receives a continuous stream of RF data or if the device monitors data on a network, it places any serial data that arrives on the DIN pin (pin 4) in the DIN buffer. It transmits the data in the DIN buffer over-the-air when the device no longer detects RF data in the network.

Hardware flow control ($\overline{\text{CTS}}$)

The firmware asserts $\overline{\text{CTS}}$ before the DIN buffer is full so it has time to send the signal and the host has time to stop sending data.

When the DIN buffer is full, the firmware de-asserts $\overline{\text{CTS}}$ (high) to signal the host to stop sending data; refer to [FT \(Flow Control Threshold\)](#) and [CS \(GP01 Configuration\)](#).

The firmware re-asserts $\overline{\text{CTS}}$ after the DIN buffer has 34 bytes of memory available.

Software flow control (XON/OFF)

Use **FL** to enable XON/XOFF software flow control. This option only works with ASCII data.

Data Out (DO) buffer and flow control

When a device receives RF data, the data enters the DOUT buffer and the device sends it out the serial port to a host device. Once the DOUT buffer reaches capacity, it loses any additional incoming RF data. The DOUT buffer stores at least 2.1 kB.

In the following situations, the DOUT buffer may become full and overflow:

1. If the RF data rate is set higher than the interface data rate of the device, the device receives data from the transmitting device faster than it can send the data to the host.
2. If the host does not allow the device to transmit data out from the DOUT buffer because of being held off by hardware or software flow control.

Hardware flow control ($\overline{\text{RTS}}$)

If you enable $\overline{\text{RTS}}$ for flow control (**RT = 2**), data will not be sent out the DO Buffer as long as $\overline{\text{RTS}}$ (pin 16) is de-asserted.

Software flow control (XOFF)

You can enable XON/XOFF software flow control using [FL \(Software Flow Control\)](#). This option only works with ASCII data.

Configure the XTC RF Module

Configure the device using XCTU33

Configure the device using XCTU

XBee Configuration and Test Utility ([XCTU](#)) is a multi-platform program that enables users to interact with Digi radio frequency (RF) devices through a graphical interface. The application includes built-in tools that make it easy to set up, configure, and test Digi RF devices.

For full support of the XTC RF Module, you must use XCTU version 6.3.0 or higher.

For instructions on downloading and using XCTU, see [the XCTU User Guide](#).

Click **Discover devices** and follow the instructions. XCTU should discover two XTC RF Modules.

Click **Add selected devices**. The devices appear in the **Radio Modules** list. You can click a module to view and configure its individual settings. For more information on these items, see [Commands](#).

Program the XTC RF Module

Programming examples

For steps on sending AT commands to a device, refer to:

- [Send AT commands](#)
- [Exit Command mode](#)

For more information, refer to the XCTU online help at:

docs.digi.com/display/XCTU/XCTU+Overview

Connect the device to a PC

The programming examples that follow require the installation of XCTU and a serial connection to a PC. Digi stocks connector boards to facilitate interfacing with a PC.


1. Download XCTU from the Digi website:
digi.com/products/xbee-rf-solutions/xctu-software/xctu#resources
2. After the .exe file downloads to the PC, double-click the file to launch the XCTU Setup Wizard. Follow the steps in the wizard to completely install XCTU.
3. Mount the device to an interface board, then connect the assembly to a PC.
4. Launch XCTU and click the **Add devices** tab on the upper left corner of the screen.
5. Verify that the baud rate and parity settings of the Serial/USB port match those of the device.

Note Failure to enter Command mode is commonly due to baud rate mismatch. Ensure that the **Baud Rate**: setting on the Add radio device window matches the interface data rate of the device. By default, the BD parameter = 9600 b/s.

Modify a device address


The following programming example shows you how to modify the device's destination address.

1. Once you add the device in XCTU, click on it in the **Radio Modules** pane to display the Configuration working mode. This mode shows most of the device's parameters that you can edit.
2. Scroll down in the Radio Configuration pane until you find the parameter you want to edit, in this case [DT \(Destination Address\)](#), or use the search box and type DT. XCTU automatically scrolls to the selected parameter.

3. When you locate the parameter, change its value, for example to 1A0D. If you do not save the parameter, the color of the surrounding container is light green.
4. Click the **write** button to save the value to non-volatile memory; it is the pencil icon to the right of the parameter . If you change other parameters but have not saved them, you can use the **Write radio settings** button to save them. It is the white and blue pencil icon on the top of the configuration panel .

Restore device defaults

The following programming example shows you how to restore a device's default parameters.

1. After establishing a connection between the device and a PC click the Configuration working mode tab of XCTU .
2. Click the **Load default firmware settings** button and agree to restore the default values. The button is the factory icon .
3. The restored parameters have a light green surrounding color, which means that they have been changed but not saved.
4. Click the **Write module settings** button  to save all of the parameters simultaneously.
5. All the parameters surrounding box must change to gray indicating that their values are now saved in the device's non-volatile memory.

Send binary commands

Example

Use XCTU's Serial Console tool to change the device's **DT** (Destination Address) parameter and save the new address to non-volatile memory.

This example requires XCTU and a serial connection to a PC.

To send binary commands:

1. Set the **RT** command to 1 to enable binary command programming; do this in Command mode or configure it through XCTU.
2. Drive pin 29 high to assert CMD by de-asserting the $\overline{\text{RTS}}$ line in XCTU. The device enters Binary Command mode.
3. Send hexadecimal bytes (parameter bytes must be 2 bytes long). The next four lines are examples, not required values:
 00 (Send binary command **DT**)
 0D (Least significant byte of parameter bytes)
 1A (Most significant byte of parameter bytes)
 08 (Send binary command **WR**)
4. Drive pin 29 low to de-assert CMD. After you send the commands, $\overline{\text{CTS}}$ (pin 25) de-asserts (driven low) temporarily. The device exits Binary Command mode.

The default flow control is **NONE**, so if you are using XCTU, $\overline{\text{CTS}}$ is not an issue. However, you can still observe the behavior of the CTS line by monitoring the CTS indicator in the terminal or console.

Query binary commands

Example: use XCTU's Serial Console tool to query the device's **DT** (Destination Address) and **DB** (Received Signal strength) parameters. In order to query a parameter instead of setting it, you must logically OR the binary command byte with 0x80.

1. Set the **RT** command to 1 to enable binary command programming. To do this, you must either be in Command mode or use XCTU to configure the device.
2. Assert CMD by driving pin 29 high. To do this de-assert the $\overline{\text{RTS}}$ line in XCTU.
3. Send hexadecimal bytes:
80 (Binary command DT (0x00) OR'ed with 0x80)
B6 (Binary command DB (0x36) OR'ed with 0x80)
4. Read the device's output for the parameter values of the two commands.
5. De-assert CMD by driving pin 29 low. The device exits Binary Command mode.

When querying commands in binary command mode, the output is the least significant byte followed by the most significant byte and is always represented in hexadecimal values.

Commands

The following table lists the AT and binary commands in the XTC RF Module firmware and links to the description of the individual command.

By default, the device expects numerical values in hexadecimal since the default value of the **CF** (Number Base) Parameter is 1. Hexadecimal values are designated by the 0x prefix and decimal values by the d suffix.

AT command	Binary command
%V (Board Voltage)	0x3B (59d)
AM (Auto-set MY)	0x41 (65d)
AP (API Enable)	--
AT (Guard Time After)	0x05 (5d)
BD (Interface Data Rate)	0x15 (21d)
BR (RF Data Rate)	0x39 (57d)
BT (Guard Time Before)	0x04 (4d)
CC (Command Sequence Character)	0x13 (19d)
CD (GP02 Configuration)	0x28 (40d)
CF (Number Base)	--
CN (Exit Command Mode)	0x09 (9d)
CS (GP01 Configuration)	0x1F (31d)
CT (Command Mode Timeout)	0x06 (6d)
DB (Last Packet RSSI)	0x36 (54d)
DT (Destination Address)	0x00 (0d)
E0 (Echo Off)	0x0A (10d)
E1 (Echo On)	0x0B (11d)
FH (Force Wakeup Initializer)	0x0D (13d)
FL (Software Flow Control)	0x07 (7d)

Commands

AT command	Binary command
FS (Forced Synch Time)	0x3F (63d)
FT (Flow Control Threshold)	0x24 (36d)
GD (Receive Good Count)	0x10 (16d)
HP (Preamble ID)	0x11 (17d)
HS (Hardware Series)	--
HT (Time before Wake-up Initializer)	0x03 (3d)
HV (Hardware Version)	--
ID (Network ID)	0x27 (39d)
KY (AES Encryption Key)	0x43 (67d)
LH (Wakeup Initializer Timer)	0x0C (12d)
MD (RF Mode)	0x31 (49d)
MK (Address Mask)	0x12 (18d)
MT (Multi-transmit)	0x3E (62d)
MY (Source Address)	0x2A (42d)
NB (Parity)	0x23 (35d)
PB (Polling Begin Address)	0x45 (69d)
PD (Minimum Polling Delay)	0x47 (71d)
PE (Polling End Address)	0x46 (70d)
PK (Maximum RF Packet Size)	0x29 (41d)
PL (TX Power Level)	0x3A (58d)
PW (Pin Wakeup)	0x1D (29d)
RB (Packetization Threshold)	0x20 (32d)
RC (Ambient Power - Single Channel)	--
RE (Restore Defaults)	0x0E (14d)
RM (Ambient Power)	--
RN (Delay Slots)	0x19 (25d)
RO (Packetization Timeout)	0x21 (33d)
RP (RSSI PWM Timer)	0x22 (34d)
RR (Unicast Mac Retries)	0x18 (24d)

AT command	Binary command
RT (GPI1 Configuration)	0x16 (22d)
SB (Stop Bits)	0x37 (55d)
SH (Serial Number High)	0x25 (37d)
SL (Serial Number Low)	0x26 (38d)
SM (Sleep Mode)	0x01 (1d)
ST (Wake Time)	0x02 (2d)
TP (Board Temperature)	0x38 (56d)
TR (Transmission Failure Count)	0x1B (27d)
TT (Streaming Limit)	0x1A (26d)
TX (Transmit Only)	0x40 (64d)
VL (Firmware Version - Verbose)	--
VR (Firmware Version - Short)	0x14 (20d)
WA (Active Warning Numbers)	--
WN (Warning Data)	--
WR (Write)	0x08 (8d)
WS (Sticky Warning Numbers)	--

Command mode options

The following commands are Command mode option commands.

AT (Guard Time After)

Sets or displays the time-of-silence that follows the **CC** (Command Sequence Character) of the Command mode sequence (**BT + CC + AT**). By default, one second must elapse before and after the command sequence character.

The times-of-silence surrounding the Command Sequence Character prevent the device from inadvertently entering Command mode.

Binary command

0x05 (5 decimal)

Parameter range

0x2 - 0x1770 [x 100 ms]

Default

0xA (1 second)

Bytes returned

2

BT (Guard Time Before)

Sets the **DI** pin silence time that must precede the Command Sequence Character (**CC** command) of the Command mode sequence.

Binary command

0x04 (4 decimal)

Parameter range

0 - 0x1770 [x 100ms]

Default

0x0A (1 second)

Bytes returned

2

CC (Command Sequence Character)

Sets or displays the character the device uses between guard times of the AT Command mode sequence. The AT Command mode sequence causes the device to enter Command Mode (from Idle Mode).

Binary command

0x13 (19 decimal)

Parameter range

0x0 - 0xFF

Default

0x2B (ASCII "+")

Bytes returned

1

CF (Number Base)

Sets or displays the command formatting setting.

The firmware always enters and reads the following commands in hex, no matter what the CF setting is:

VR (Firmware Version)

HV (Hardware Version)

KY (AES Encryption Key)

Binary command

N/A

Command type

Command mode options

Parameter range

0 - 2

Parameter	Configuration
0	Commands use the default number base; decimal commands may output units.
1	All commands are forced to unsigned, unit-less hex.
2	Commands use their default number base; no units are output.

Default

1

Bytes returned

1

CN (Exit Command Mode)

Makes the device exit Command mode.

Binary command

0x09 (9 decimal)

Parameter range

N/A

Default

N/A

Bytes returned

N/A

CT (Command Mode Timeout)

Set or read the Command mode timeout parameter. If a device does not receive any valid commands within this time period, it returns to Idle mode from Command mode.

Use the **CN** (Exit Command mode) command to exit Command mode manually.

Binary command

0x06 (6 decimal)

Parameter range

0x2 - 0x53E2 [x 100 milliseconds]

Default

0xC8 (20 seconds)

Bytes returned

2

E0 (Echo Off)

Turns off the character echo in Command mode.

By default, echo is off.

Binary command

0x0A (10 decimal)

Parameter range

N/A

Default

N/A

Bytes returned

N/A

E1 (Echo On)

Enables character echo in Command mode. Each character that you type echoes back to the terminal when **E1** is active. **E0** (Echo Off) is the default.

Binary command

0x0B (11 decimal)

Parameter range

N/A

Default

N/A

Bytes returned

N/A

Diagnostic commands

The following AT commands are diagnostic commands. Diagnostic commands are typically volatile and will not persist across a power cycle.

%V (Board Voltage)

Reads the supply voltage to the module's VCC (pin 2).

The conversion of the hex value returned by **%V** to Volts is $VAL/65536 = \text{Volts}$.

Example:

2.8 VDC = $2.8 * 65536 = 0x2CCCD$

3.3 VDC = $3.3 * 65536 = 0x34CCD$

Sample output

3.27 V (when **CF** = 0)

345E3 (when **CF** = 1) ¹

3.27 (when **CF** = 2)

Binary command

0x3B (59 decimal)

Parameter range

[read-only]:

0x26666 - 0x39999 (2.40 to 3.60 V)

Default

N/A

Bytes returned

4

DB (Last Packet RSSI)

This command reports the received signal strength of the last received RF data packet or APS acknowledgment. The **DB** command only indicates the signal strength of the last hop. It does not provide an accurate quality measurement for a multihop link.

The **DB** command value is measured in -dBm. For example, if **DB** returns 0x50, then the RSSI of the last packet received was -80 dBm. Set **DB** to 0 to clear the current value, and it will be updated with the next valid packet received.

Parameter range

Observed ranges:

XBee-PRO - 0x1A - 0x58

XBee- 0x1A - 0x5C

Default

0x80000

GD (Receive Good Count)

Binary command

0x10 (16 decimal)

Parameter range

0 - 0xFFFF

Default

0

Bytes returned

2

¹When **CF** = 1 (default), the firmware shows a hex integer that is equal to (voltage * 65536d).

HV (Hardware Version)

Reads the device's hardware version number.

The **HV** value can be used to determine programmatically, if the device is a PRO or non-PRO radio. Only the upper byte is used for this determination.

Binary command

N/A

Command type

Diagnostics

Parameter range

[read-only]: 0 - 0xFFFF

Default

XB9XT (non-PRO)	XBP9XT (PRO)
0x31xx	0x3Exx

Bytes returned

2

RC (Ambient Power - Single Channel)

Reads and reports the power level on a given channel.

Sample output

-78 dBm (when **CF** = 0)

4e (when **CF** = 1)

-78 (when **CF** = 2)

Binary command

N/A

Parameter range

RC with a parameter value returns the power level on the channel specified by the parameter. These channels correspond to the channels reported in the **RM** command. The XTC RF Module operates across 50 different channels in the ISM 900 MHz frequency band.

Default

N/A

Bytes returned

1

RE (Restore Defaults)

Restore device parameters to factory defaults.

RE does not cause the device to store default values to non-volatile (persistent) memory. You must send the **WR** command prior to power-down or reset to save the default settings in the device's non-volatile memory.

Binary command

0x0E (14 decimal)

Parameter range

N/A

Default

N/A

Bytes returned

N/A

RM (Ambient Power)

Reads and reports power levels on all channels. If you do not provide a parameter, the device scans the channels one time. If you do provide a parameter, the device scans the channels repeatedly for the number of seconds that the parameter calls for. The firmware reports the maximum power level seen for each channel (in other words, peak hold).

To implement a graphical spectrum analyzer, repeatedly send **RM** with no arguments and read the resulting 50 power levels. This is easiest to do when **CF** = 1 or 2.

Sample output when CF = 0:	Ch 0: -100 dBm
	Ch 1: -103 dBm
	...
	Ch 49: -99 dBm
Sample output when CF = 1: 64	64
	67
	...
	63
Sample output when CF = 2: 100	100
	-103
	...
	-99

Binary command

N/A

Command type

Diagnostics

Parameter range

no parameter - 0x7D0

Default

N/A

Bytes returned

50, one byte for each channel

RP (RSSI PWM Timer)

Enables a pulse-width modulated (PWM) output on the RSSI pin (pin 7). We calibrate the pin to show the difference between received signal strength and the sensitivity level of the device. PWM pulses vary from zero to 95 percent. Zero percent means the RF signal the device receives is at or below the device's sensitivity level.

The following table shows dB levels above sensitivity and PWM values. The total time period of the PWM output is 8.32 ms. PWM output consists of 40 steps, so the minimum step size is 0.208 ms.

dB above sensitivity	PWM percentage (high period / total period)
10	30%
20	45%
30	60%

A non-zero value defines the time that PWM output is active with the RSSI value of the last RF packet the device receives. After the set time when the device has not received RF packets, it sets the PWM output low (0 percent PWM) until the device receives another RF packet. It also sets PWM output low at power-up. A parameter value of 0xFF permanently enables PWM output and always reflects the value of the last received RF packet.

Binary command

0x22 (34 decimal)

Parameter range

0 - 0xFF [x 100 ms]

Default

0x20 (3.2 seconds)

Bytes returned

1

SH (Serial Number High)

Displays the device's serial number high word.

Binary command

0x25 (37 decimal)

Parameter range

0x0 - 0xFFFF [read-only]

Default

Varies

Bytes returned

2

SL (Serial Number Low)

Displays the serial number low word of the device.

Binary command

0x26 (38 decimal)

Parameter range

0 - 0xFFFF [read-only]

Default

Varies

Bytes returned

2

TP (Board Temperature)

The current module temperature in degrees Celsius in 8-bit two's complement format. For example 0x1A = 26 °C, and 0xF6 = -10 °C.

Sample output26 C when **CF** = 01A when **CF** = 126 when **CF** = 2**Binary command**

0x38 (56 decimal)

Parameter range

0 - 0x7F [read-only]

Default

N/A

Bytes returned

1

TR (Transmission Failure Count)Reads the number of RF packets where retries expire without receiving an ACK (when **RR** > 0).

This count increments whenever a MAC transmission attempt exhausts all MAC retries without ever receiving a MAC acknowledgment message from the destination node. Once the number reaches 0xFFFF, it does not count further events. To reset the counter to any 16-bit value, append a hexadecimal parameter to the command.

This value is volatile (the value does not persist in the device's memory after a power-up sequence).

Binary command

0x1B (27 decimal)

Parameter range

0 - 0xFFFF

Default

0

Bytes returned

2

VL (Firmware Version - Verbose)

Reads the verbose firmware version of the device.

Binary command

N/A

Parameter range

Returns a string

Default

0

Bytes returned

2

VR (Firmware Version - Short)

Reads the firmware version on a device.

Firmware versions contain four significant digits: A.B.C.D. If B = 2, the device is programmed for operation in Australia only.

Binary command

0x14 (20 decimal)

Parameter range

[read-only]: 0 - 0xFFFF

Default

N/A

Bytes returned

2

WA (Active Warning Numbers)

Reports the warning numbers of all active warnings, one warning number per line. It does not show further information and does not reset warning counts. For information on what the warning numbers mean, see [WN \(Warning Data\)](#).

Sample output (indicates warnings 1 and 3 are currently active)

```
1
3
OK
```

Binary command

N/A

Command type

Diagnostics

Parameter range

Returns a string: one warning number per line.

Default

N/A

Bytes returned

N/A

WN (Warning Data)

Reports the following data for all active and sticky warnings:

- Warning number and description
- Number of occurrences since the last **WN** or **WS** command
- Whether the warning is currently active

WN does not display warnings that are not currently active and have not been active since the last issuance of the **WN** or **WS** commands. **WN** resets all non-zero warning counts except for warnings that are presently active, which are set to 1.

Sample output

```
Warning 4: Over-temperature
5 occurrences; presently inactive.
```

Warning #	Description
1	Under-voltage. This is caused if the supply voltage falls below the minimum threshold for the lowest power level (2.8 V). If/when the voltage rises above the threshold, the warning is deactivated. The device does not transmit below this voltage threshold.
2	Deprecated.
3	Under-temperature. This is caused if the temperature sensed by the device is less than -40° C. The device does not artificially limit operation while this warning is active, but device functionality is not guaranteed.
4	Over-temperature. This is caused if the temperature sensed by the device is greater than 105° C. The device does not allow transmission nor reception while this warning is active. The warning is deactivated when the temperature falls below 100° C.
5	Deprecated.
6	Deprecated.
7	Default configuration parameters in flash. This is caused if user-modifiable parameters (i.e. those stored by WR) in flash are all the compiled-in default values. This is caused if the user configuration is found to be not present or invalid at power-up and there is no custom configuration, or if no user-modifiable parameters have been modified from the compiled-in defaults. Modification of one or more parameters without the subsequent WR to commit the changes to flash will not deactivate this warning, since it reflects the status of the parameters in flash. This warning does not reflect usage of the custom configuration defaults, only usage of the compiled-in defaults.
8	Default factory configuration parameters in flash. This is caused if the factory parameters in flash are all the default values. This is caused if the factory configuration is found to be not present or invalid at power-up, or if no factory parameters have been modified.
9	Watchdog reset occurred.
10	PK was reduced by BR .
11	RB was reduced by PK .
12	One or more parameters overridden due to conflict.

Binary command

N/A

Command type

Diagnostics

Parameter range

Returns a string

Default

N/A

Bytes returned

N/A

WS (Sticky Warning Numbers)

Reports warning numbers of all warnings active since the last use of **WS** or **WN**, including any warnings that are currently active. **WS** also resets all non-zero warning counts, except for warnings that are presently active, which are set to 1.

Binary command

N/A

Command type

Diagnostics

Parameter range

[read-only]: 1 - 8

Default

N/A

Bytes returned

1

The following AT commands are firmware commands.

HS (Hardware Series)

Read the device's hardware series number.

Parameter range

N/A

Default

0x0A00 - set in the firmware

MAC/PHY commands

The following AT commands are MAC/PHY commands.

AM (Auto-set MY)

Sets the **MY** (Source Address) parameter from the factory-set serial number of the device. The address consists of bits 29, 28 and 13-0 of the serial number, in that order.

Sending **AM** displays the address.

Binary command

0x41 (65 decimal)

Parameter range

N/A

Default

N/A

Bytes returned

N/A

DT (Destination Address)

Sets or displays the networking address of a device. The devices use three filtration layers:

- Vendor ID Number (**ID**)
- Channel (**HP**)
- Destination Address (**DT**)

The **DT** command assigns an address to a device that enables it to communicate with other devices in the network. The simplest use of this command is that when **MY** = 0xFFFF and **MK** = 0xFFFF on all devices in a network, only devices with matching **DT**'s communicate with each other.

If **MY** is not 0xFFFF, then **DT** acts as a transmit address and **MY** acts as a receive address. For example, you can set **MY** to unique values 1, 2, 3, and so forth on unique devices in the network. Then set **DT** on the transmitting device to match the **MY** of the receiving device you intend to communicate with.

Setting **DT** = 0xFFFF broadcasts to all devices in the network. For more information, see [Addressing](#).

Binary command

0x00 (0 decimal)

Parameter range

0 - 0xFFFF

Default

0

Bytes returned

2

HP (Preamble ID)

Set or read the device's hopping channel number. A channel is one of three layers of filtration available to the device.

In order for devices to communicate with each other, the devices must have the same channel number since each channel uses a different hopping sequence. Devices can use different channels to prevent devices in one network from listening to transmissions of another.

When a device receives a packet it checks **HP** before the network ID, as it is encoded in the preamble and the network ID is encoded in the MAC header.

Binary command

0x11 (17 decimal)

Parameter range

0 - 9

Default

0

Bytes returned

1

ID (Network ID)

Sets or displays the Vendor Identification Number (VID) of the device. Devices must have matching VIDs in order to communicate. If the device uses OEM network IDs, 0xFFFF uses the factory value.

Binary command

0x27 (39 decimal)

Parameter range

0x10 - 0x7FFF (user-settable)

0 - 0x9 and 0x8000 - 0xFFFF (factory-set)

Default

0x3332

N/A

Bytes returned

2

MK (Address Mask)

Sets or read the device's Address Mask.

All RF data packets contain the Destination Address of the transmitting (TX) device. When a device receives a packet, the TX device's Destination Address is logically combined bitwise (in other words, joined with AND) with the Address Mask of the receiving (RX) device. The resulting value must match the Destination Address or Address Mask of the RX device for the packet to be received and sent out the RX device's DO (Data Out) pin. If the combined value does not match the Destination Address or Address Mask of the RX device, it discards the packet.

Sniffer mode (when **MK** = 0): the device ignores ACK requests and sends every RX (receive) frame out the UART, without regard for repeated frames.

The firmware treats all 0 values as irrelevant and ignores them. For more information, see [Addressing](#).

Binary command

0x12 (18 decimal)

Parameter range

0 - 0xFFFF

Default

0xFFFF

Bytes returned

2

MT (Multi-transmit)

Enables multiple transmissions of RF data packets. When you enable Multi-transmit mode (**MT** > 0), packets do not request an ACK from the receiving devices. **MT** takes precedence over **RR**, so if both **MT** and **RR** are non-zero, then a device sends **MT**+1 packets with no ACK requests.

When a receiving device receives a packet with remaining forced retransmissions, it calculates the length of the packet and inhibits transmission for the amount of time required for all retransmissions. From that time on, the device inserts a random number of delay slots between 0 and **RN** before allowing transmission from the receiving devices. This prevents all listening devices from transmitting at once upon conclusion of a multiple transmission event (when **RN** > 0).

Note The actual number of forced transmissions is the parameter value plus one. For example, if **MT** = 1, a device sends two transmissions of each packet.

For more information, see [Multi-transmit mode](#).

Binary command

0x3E (62d)

Command type

MAC/PHY

Parameter range

0 - 0xFF

Default

0 (no forced retransmissions)

Bytes returned

1

MY (Source Address)

Sets or displays the Source Address of a device.

For more information, see [DT \(Destination Address\)](#) and [Addressing](#).

Binary command

0x2A (42 decimal)

Parameter range

0 - 0xFFFF

Default

0xFFFF (Disabled - **DT** (Destination Address) parameter serves as both source and destination address).

Bytes returned

2

RN (Delay Slots)

Sets or displays the time delay that the transmitting device inserts before attempting to resend a packet. If the transmitting device fails to receive an acknowledgment after sending a packet, it inserts a random number of delay slots (ranging from 0 to (**RN** minus 1)) before attempting to resend the packet. Each delay slot is 5 ms when **BR** = **1** and 54 ms when **BR** = **0**.

If two devices attempt to transmit at the same time, the random time delay after packet failure only allows one device to transmit the packet successfully, while the other device waits until the channel is available for RF transmission.

RN is only applicable if:

- You enable retries using the **RR** command, or
- You insert forced delays into a transmission using the **TT** command

Binary command

0x19 (25 decimal)

Parameter range

0 - 0xFF [38 ms delay slots]

Default

0 (no delay slots inserted)

Bytes returned

1

RR (Unicast Mac Retries)

Sets or displays the maximum number of retries sent for a given RF packet. When you enable RR (RR > 0), it enables RF packet retries and ACKs.

Exceptions: If you enable the **MT** command (**MT** > 0) or if you use a broadcast destination address (**DT** = 0xFFFF) it disables RF packet retries and ACKs.

After transmitting a packet, the transmitting device waits to receive an ACK from a receiving device. If it does not receive the ACK in the time that **RN** specifies, it transmits the original packet again. The transmitting device transmits the RF packet repeatedly until it receives an ACK or until it sends the packet **RR** times.

Note You must have retries enabled for all modules in the network for retries to work.

Binary command

0x18 (24 decimal)

Parameter range

0 - 0xFF

Default

0x0A (10 decimal)

Bytes returned

1

TT (Streaming Limit)

Sets or displays the limit on the number of bytes that a device can send before issuing a random delay.

If a device is sending a continuous stream of RF data, it inserts a delay that stops its transmission and gives other devices time to transmit once it sends **TT** bytes of data. The random delay it inserts lasts between 1 and **RN** + 1 delay slots .

You can use **TT** to simulate full-duplex behavior.

Binary command

0x1A (26 decimal)

Parameter range

0 - 0xFFFF [bytes]

Default

0

Bytes returned

2

RF interfacing commands

The following AT commands are RF interfacing commands.

BR (RF Data Rate)

Sets and reads the device's RF data rate (the rate at which the device transmits and receives RF data over-the-air).

Binary command

0x39 (57 decimal)

Parameter range

0 - 1

Parameter	RF data rate
0	10 kb/s
1	125 kb/s

Default

1

Bytes returned

1

FS (Forced Synch Time)

The **FS** command only applies to streaming data. Normally, only the first packet of a continuous stream contains the full RF initializer. The RF devices then remain synchronized for subsequent packets of the stream.

You can use this parameter to periodically force an RF initializer during such streaming. Any break in UART character reception that is long enough to drain the DI buffer and cause a pause in RF data transmission also causes the firmware to insert an RF initializer on the next transmission.

Binary command

0x3F (63 decimal)

Command type

RF interfacing

Parameter range

0 - 0xFFFF

[x 10 milliseconds]

Default

0

Bytes returned

2

MD (RF Mode)

Sets or displays the settings that enable the Polling and Repeater modes on the device.

Polling Mode: a Polling Base is responsible for polling remotes. A Polling Remote requires a poll from a Polling Base in order to transmit.

Repeater Mode: a Repeater re-sends RF data unless the transmission is addressed to it or if it has already detected the transmission. A Repeater End Node handles repeated messages, but will not repeat the message over-the-air.

For more information, see [Basic communications](#).

Binary command

0x31 (49 decimal)

Parameter range

0 - 6

Parameter	Configuration
0	Transparent Operation (Repeater Base)
1	Reserved - not used
2	Reserved - not used

Parameter	Configuration
3	Polling Base
4	Polling Remote
5	Repeater
6	Repeater End Node

Default

0

Bytes returned

1

PB (Polling Begin Address)

Sets or displays the device’s Polling Begin Address, which is the first address polled when you enable Polling mode.

Binary command

0x45 (69 decimal)

Command type

RF interface

Parameter range

0 - 0xFFFF

Default

0

Bytes returned

2

PD (Minimum Polling Delay)

Sets or displays the Polling Delay (Base, **MD** = 3) or Polling Timeout (Remote, **MD** = 4).

Polling Delay (Base) is the time between polling cycles. The Polling Base starts the polling cycle after sending the first poll. After the polling cycle completes, the timer restarts.

Polling Timeout (Remote) is the amount of time the remote device holds data from the serial port before discarding it. The device transmits data entered within the **PD** time of the poll and does not discard it.

Binary command

0x47 (71 decimal)

Command type

RF interface

Parameter range

0 - 0xFFFF (Base: [x 1ms], Remote: [x 10ms])

Default

0x64

Bytes returned

2

PE (Polling End Address)

Sets or displays the device's Polling End Address; which is the last address polled when you enable Polling mode.

Binary command

0x46 (70 decimal)

Command type

RF interface

Parameter range

0 - 0xFFFF

Default

0

Bytes returned

2

PK (Maximum RF Packet Size)

Sets or displays the maximum size of RF packets that a device in Transparent operating mode (**AP = 0**) transmits. You can use the maximum packet size along with the **RB** and **RO** parameters to implicitly set the channel dwell time.

If you set **PK** above 256 and subsequently change **BR** to 0, **PK** lowers to 256 and issues a warning. For more information, see [BR \(RF Data Rate\)](#) and [WN \(Warning Data\)](#).

Changes to the **PK** parameter may have a secondary effect on the [RB \(Packetization Threshold\)](#) parameter. **RB** must always be less than or equal to **PK**. If you change **PK** to a value that is less than the current value of **RB**, the **RB** value lowers to be equal to **PK**.

Binary command

0x29 (41 decimal)

Parameter range

1 - 0x800 [Bytes]

Default

0x100 (**BR = 0**) 0x800 (**BR = 1**)¹

Bytes returned

2

¹When **BR = 0** (9600 baud), the maximum **PK** value is **0x100** (256 bytes). When **BR = 1** (115,200 baud), the maximum **PK** value is **0x800** (2048 bytes).

PL (TX Power Level)

Sets or displays the power level at which the device transmits conducted power.

The PRO XTC device requires the power supply to be above 3.3 V to ensure 30 dBm output power. The following table shows the typical values over supply voltage.

Power supply	Output power
3.3 to 3.6 V	30 dBm typical
3.0 V	29 dBm typical
2.6 V	27 dBm typical

Binary command

0x3A (58 decimal)

Parameter range

0 - 4

XB9XT (non-PRO)		XBP9XT (PRO)
Parameter	Configuration	Configuration
PL0	0 dBm	21.5 dBm
PL1	10 dBm	
PL2	13 dBm	
PL3	13 dBm	27 dBm
PL4	13 dBm	30 dBm (1 Watt)

Default

4

Bytes returned

1

TX (Transmit Only)

Sets or displays the transmit or receive behaviors of the device. Setting a device to TX-only (**TX** = 1) may reduce latency because the you can not limit the transmitting device to receiving data from other devices.

Binary command

0x40 (64d)

Command type

RF Interfacing

Parameter range

0 - 1

Parameter	Description
0	TX and RX
1	TX only

Default

0

Bytes returned

1

Security commands

The following AT commands are security commands.

KY (AES Encryption Key)

Sets the 256-bit Advanced Encryption Standard (AES) key for encrypting or decrypting data. Once set, you cannot read the key out of the device by any means. The firmware encrypts the entire payload of the packet using the key and computes the CRC across the ciphertext. When you enable encryption, each packet carries an additional 16 bytes to convey the random cipher-block chaining (CBC) Initialization Vector (IV) to the receiver(s). Set 256-bit key (64 hex digits) on multiple devices for encrypted RF communication. Set to **0** to disable encryption. Reading the parameter returns a **0** (encryption disabled) or **1** (enabled). The key cannot be read for security reasons.

A device with the wrong key (or no key) receives encrypted data, but the data driven out the serial port is meaningless. Likewise, a device with a key receives unencrypted data sent from a device without a key, but the output is meaningless. Because it uses CBC mode, repetitive data appears differently in different transmissions due to the randomly-generated IV.

Note For international (non-U.S.) variants of XTC devices, the encryption key is 128-bit AES. The command operates the same except the key length is 16 bytes rather than 32 bytes. This pertains to part numbers ending with 128, no matter which firmware version is loaded. This also pertains to the Australia version of firmware 22xx.

Binary command

0x43 (67d)

Command type

Security

Parameter range

0 - (64 hex digits all set to 'F')

Default

0 (disabled)

Bytes returned

2

Serial interfacing commands

The following AT commands are serial interfacing commands.

AP (API Enable)

Set or read the API mode setting. The device can format the RF packets it receives into API frames and send them out the serial port.

When you enable API, you must format the serial data as API frames because Transparent operating mode is disabled.

Enables API Mode. The device ignores this command when using SPI. API mode 1 is always used.

Binary command

N/A

Parameter range

0 - 2

Parameter	Description
0	Transparent mode, API mode is off. All UART input and output is raw data and the device uses the RO and RB parameters to delineate packets.
1	API Mode Without Escapes. The device packetizes all UART input and output data in API format, without escape sequences.
2	API Mode With Escapes. The device is in API mode and inserts escaped sequences to allow for control characters. The device passes XON (0x11), XOFF (0x13), Escape (0x7D), and start delimiter 0x7E as data.

Default

0

Bytes returned

1

BD (Interface Data Rate)

Sets and reads the serial interface data rate (baud rate) between the device and the host. The baud rate is the rate that the host sends serial data to the device.

When you make an update to the interface data rate, the change does not take effect until the host issues the **CN** command and the device returns the **OK** response.

The **BD** parameter does not affect the RF data rate. If you set the interface data rate higher than the RF data rate, you may need to implement a flow control configuration.

The range between standard and non-standard baud rates (0x9B - 0x4B0) is invalid. The range between 0x2580 and 0x4AFF is also invalid.

Non-standard interface data rates

The firmware interprets any value within 0x4B0 - 0x2580 and 0x4B00 - 0x1C9468 as an actual baud rate. When the host sends a value above 0x4B0, the firmware stores the closest interface data rate represented by the number in the **BD** register. For example, to set a rate of 19200 b/s, send the following command line: **ATBD4B00**.

Note When using XCTU, you can only set and read non-standard interface data rates using the XCTU Serial Console tool. You cannot access non-standard rates through the configuration section of XCTU.

When you send the **BD** command with a non-standard interface data rate, the UART adjusts to accommodate the interface rate you request. In most cases, the clock resolution causes the stored **BD** parameter to vary from the sent parameter. Sending **ATBD** without an associated parameter value returns the value actually stored in the device's **BD** register.

The following table provides the parameters sent versus the parameters stored.

BD parameter sent (HEX)	Interface data rate (b/s)	BD parameter stored (HEX)
0	1200	0
4	19,200	4
7	115,200	7
1C200	115,200	1B207

Binary command

0x15 (21 decimal)

Parameter ranges

0 - 8 (standard rates)

0x4B0 - 0x1C9468 (non-standard rates; 0x2581 to 0x4AFF not supported)

Parameter	Configuration (b/s)
0	1200
1	2400
2	4800
3	9600
4	19200
5	38400
6	57600
7	115200
8	230400
9	460800
10	921600

Default

3

Bytes returned

4

CD (GP02 Configuration)

Selects or reads the behavior of the GPO2 line (pin 5).

Binary command

0x28 (40 decimal)

Parameter range

0 - 4

Parameter	Configuration
0	RX LED
1	Static high
2	Static low
3	Reserved
4	RX LED (valid address only)

Default

2

Bytes returned

1

CS (GP01 Configuration)

Sets or displays the behavior of the GPO1 line (pin 25). This output can provide RS-232 flow control and controls the TX enable signal for RS-485 or RS-422 operations.

By default, GP01 provides RS-232 Clear-to-Send (CTS) flow control.

Binary command

0x1F (31 decimal)

Parameter range

0 - 4

Parameter	Configuration
0	RS-232 $\overline{\text{CTS}}$ flow control
1	RS-485 TX enable low

Parameter	Configuration
2	Static high
3	RS-485 TX enable high
4	Static low

Default

0

Bytes returned

1

FL (Software Flow Control)

Configures software flow control. Use the **CS** and **RT** commands to implement Hardware Flow Control.

Set **FL** to 1 to enable Software flow control (XON/XOFF).

Set **FL** to 0 to disable Software flow control.

The XON character used is 0x11 (17 decimal).

The XOFF character used is 0x13 (19 decimal).

Binary command

0x07 (7 decimal)

Parameter range

0 - 1

Default

0

Bytes returned

1

FT (Flow Control Threshold)

Sets or displays the flow control threshold.

De-assert CTS when the number of bytes specified by the **FT** parameter are in the DIN buffer. Re-assert CTS when less than FT - 16 bytes are in the UART receive buffer.

Binary command

0x24 (36 decimal)

Parameter range

0x11 - 0xC00 [bytes]

Default

0xBBF (DI buffer size minus 0x11)

Bytes returned

2

NB (Parity)

Set or read the parity settings for UART communications.

Binary command

0x23 (35 decimal)

Parameter range

0 - 4

Parameter	Configuration
0	8-bit (no parity or 7-bit (any parity))
1	8-bit even
2	8-bit odd
3	8-bit mark
4	8-bit space

Default

0

Bytes returned

1

RB (Packetization Threshold)

Sets or displays the character threshold value.

RF transmission begins after a device receives data in the DIN buffer and meets either of the following criteria:

- The UART receives **RB** characters
- The UART receive lines detect **RO** character times of silence after receiving at least 1 byte of data

If a device lowers **PK** below the value of **RB**, **RB** is automatically lowered to match the PK value.

If **RO** = 0, the device must receive **RB** bytes before beginning transmission.

RB and **RO** criteria only apply to the first packet of a multi-packet transmission. If data remains in the DIN buffer after the first packet, transmissions continue in a streaming manner until there is no data left in the DIN buffer.

Binary command

0x20 (32 decimal)

Parameter range0 - **PK** parameter value

(up to 0x800 bytes)

Default

0x800 (2048 bytes)

Bytes returned

2

RO (Packetization Timeout)

Set or read the number of character times of inter-character silence required before transmission begins. For information on how **RO** works with the **RB** command, see [RB \(Packetization Threshold\)](#).

When RO is the transmission-beginning criteria:

The actual time between the reception of the last character from the UART and the beginning of RF transmission is at least 800 µsec longer than the actual **RO** time to allow for transmission setup. It is also subject to 100-200 µsec of additional uncertainty, which could be significant for small values of **RO** at high UART bit rates.

The firmware calculates the correct UART character time (10, 11, or 12 bits) based on the following criteria:

- 1 start bit
- 8 data bits
- 0 or 1 parity bit (as determined by the **NB** command)
- 1 or 2 stop bits (as determined by **SB** command)

Binary command

0x21 (33 decimal)

Parameter range

0 - 0x53E2 [x UART character times]

Default

3

Bytes returned

2

RT (GPI1 Configuration)

Sets or displays the behavior of the GPI1 pin (pin 29) of the device. You can configure the pin to enable Binary Command mode or RTS flow control.

Binary command

0x16 (22 decimal)

Parameter range

0 - 2

Parameter	Configuration
0	Disabled
1	Binary Command enable
2	RTS flow control enable

Default

0 (disabled)

Bytes returned

1

SB (Stop Bits)

Sets or displays the number of stop bits in the data packet.

Binary command

0x37 (55 decimal)

0x36 (54 decimal)

Parameter range

0 - 1

Parameter	Configuration
0	One stop bit
1	Two stop bits

Default

0

Bytes returned

1

Sleep commands

The following AT commands are sleep commands.

FH (Force Wakeup Initializer)

Forces the device to send a wake-up initializer on the next transmission.

Only use **FH** with cyclic sleep modes active on remote devices.

FH will not send a long header if **HT** = 0xFFFF.

You do not need to issue the **WR** (Write) command with **FH**.

Binary command

0x0D (13 decimal)

Parameter range

N/A

Default

N/A

Bytes returned

N/A

HT (Time before Wake-up Initializer)

Sets or displays the time of inactivity (no serial or RF data is sent or received) before a transmitting (TX) RF device sends a wake-up initializer. The main purpose of this command is to prevent devices from sending the Long Header with every data packet. For more information on long headers, see [LH \(Wakeup Initializer Timer\)](#).

For RX devices operating in Cyclic Sleep mode (**SM** = 4-8), set **HT** to be shorter than the **ST** command. The TX device sends a wake-up initializer, which instructs all receiving (RX) devices to remain awake to receive RF data.

From the perspective of the RX device: after **HT** time elapses and the inactivity timeout (**ST** command) is met, the RX device goes into cyclic sleep. In cyclic sleep, the RX device wakes once per sleep interval (**SM** command) to check for a wake-up initializer. When it detects a wake-up initializer, the device stays awake to receive data. The wake-up initializer must be longer than the cyclic sleep interval to ensure that sleeping devices detect incoming data.

When **HT** time elapses, the TX device knows it needs to send a wake-up initializer for all RX devices to remain awake and receive the next transmission.

Binary command

0x03 (3 decimal)

Parameter range

0 - 0x53E2, 0xFFFF [x 100 ms]

Default

0xFFFF (wake-up initializer will not be sent)

Bytes returned

2

LH (Wakeup Initializer Timer)

Sets or displays the duration of time during which the wake-up initializer is sent. When receiving devices are in Cyclic Sleep Mode, they power-down after a period of inactivity as specified by the **ST** parameter and will periodically wake and listen for data transmissions. In order for the receiving devices to remain awake, they must detect ~35 ms of the wake-up initializer.

You must use **LH** whenever a receiving device is operating in Cyclic Sleep mode. The wake-up initializer time must be longer than the cyclic sleep time, which is set by the **SM** (Sleep Mode) parameter. If the wake-up initializer time is less than the Cyclic Sleep interval, the connection is at risk of missing the wake-up initializer transmission.

To view a diagram of the correct configuration, see [Cyclic Sleep Mode \(SM = 4 - 8\)](#).

Binary command

0x0C (12 decimal)

Parameter range

0 - 0xFF [x100 milliseconds]

Default

1

Bytes returned

1

PW (Pin Wakeup)

Enables or disables the sleep pin.

Under normal operation, a device in Cyclic Sleep mode cycles from an active state to a low-power state at regular intervals until it is ready to receive data. If you set **PW** to 1, you can use the SLEEP pin (pin 26) to wake the device from Cyclic Sleep. When you de-assert (low) the SLEEP pin, the device is operational and will not go into Cyclic Sleep.

Once you assert the SLEEP pin, the device remains active for the period of time specified by the **ST** parameter and returns to Cyclic Sleep mode if no data is ready to transmit. **PW** is only valid if Cyclic Sleep is enabled.

Binary command

0x1D (29 decimal)

Parameter range

0 - 1

Parameter	Configuration
0	Disabled
1	Enabled

Default

0

Bytes returned

1

SM (Sleep Mode)

Sets or displays the device's sleep mode settings, which configure the device to run in states that require minimal power consumption.

Binary command

0x01

Parameter range

0 - 8 (3 is reserved)

Parameter	Description
0	Disabled
1	Pin Sleep
2	Serial Port Sleep
3	[reserved]
4	Cyclic 1 second sleep (RF module wakes every 1.0 seconds)
5	Cyclic 2 second sleep
6	Cyclic 4 second sleep
7	Cyclic 8 second sleep
8	Cyclic 16 second sleep

Default

0

Bytes returned

1

ST (Wake Time)

Sets or displays the amount of time (in milliseconds) that the device remains inactive before entering Sleep mode. For example, if you set **ST** to 0x64 (100 decimal), the device enters Sleep mode after 10 seconds of inactivity (no transmitting or receiving).

You can only use this command if you use **SM** to select Cyclic Sleep or Serial Port Sleep mode settings; see [SM \(Sleep Mode\)](#).

Binary command

0x02 (2 decimal)

Parameter range

(AT + 3) - 0x53E2 [x 100 ms]

Default

0x64 (10 seconds)

Bytes returned

2

Special commands

The following commands are special commands.

WR (Write)

Writes parameter values to non-volatile memory so that parameter modifications persist through subsequent resets.

If you make changes without writing them to non-volatile memory, the device reverts to previously saved parameters the next time it is powered on.

If the non-volatile user configuration is not correct, **WR** will re-attempt up to three times. If all three attempts fail, the command returns an ERROR alert.

Binary command

0x08

Command type

Special

Parameter range

N/A

Default

N/A

Bytes returned

N/A

API operation

API mode overview	75
-------------------------	----

API mode overview

By default, the XTC RF Module acts as a serial line replacement (Transparent operation), it queues all UART data that it receive through the DI pin for RF transmission. When the device receives an RF packet, it sends the data out the DO pin with no additional information.

The following behaviors are inherent to Transparent operation:

- If device parameter registers are to be set or queried, a special operation is required for transitioning the device into Command Mode; refer to [Enter Command mode](#).
- In point-to-multipoint systems, the host application must send XTend vBa if the receiving device(s) need to distinguish between data coming from different remotes.

API operating mode is an alternative to transparent mode. API mode is a frame-based protocol that allows you to direct data on a packet basis. It can be particularly useful in large networks where you need to control the destination of individual data packets or when you need to know which node a data packet was sent from. The device communicates UART data in packets, also known as API frames. This mode allows for structured communications with serial devices. It is helpful in managing larger networks and is more appropriate for performing tasks such as collecting data from multiple locations or controlling multiple devices remotely.

API frame specifications

The firmware supports two API operating modes: without escaped characters and with escaped characters. Use the **AP** command to enable either mode. To configure a device to one of these modes, set the following **AP** parameter values:

AP command setting	Description
AP = 0	Transparent operating mode, UART serial line replacement with API modes disabled. This is the default option.
AP = 1	API operation.
AP = 2	API operation with escaped characters (only possible on UART).

The API data frame structure differs depending on what mode you choose.

The firmware silently discards any data it receives prior to the start delimiter. If the device does not receive the frame correctly or if the checksum fails, the device discards the frame.

API operation (AP parameter = 1)

We recommend this API mode for most applications. The following table shows the data frame structure when you enable this mode:

Frame fields	Byte	Description
Start delimiter	1	0x7E
Length	2 - 3	Most Significant Byte, Least Significant Byte
Frame data	4 - n	API-specific structure
Checksum	n + 1	1 byte

API operation-with escaped characters (AP parameter = 2)

Set API to 2 to allow escaped control characters in the API frame. Due to its increased complexity, we only recommend this API mode in specific circumstances. API 2 may help improve reliability if the serial interface to the device is unstable or malformed frames are frequently being generated.

When operating in API 2, if an unescaped 0x7E byte is observed, it is treated as the start of a new API frame and all data received prior to this delimiter is silently discarded. For more information on using this API mode, refer to the following knowledge base article:

http://knowledge.digi.com/articles/Knowledge_Base_Article/Escaped-Characters-and-API-Mode-2

The following table shows the structure of an API frame with escaped characters:

Frame fields	Byte	Description	
Start delimiter	1	0x7E	
Length	2 - 3	Most Significant Byte, Least Significant Byte	Characters escaped if needed
Frame data	4 - n	API-specific structure	
Checksum	n + 1	1 byte	

Escape characters

When sending or receiving a UART data frame, you must escape (flag) specific data values so they do not interfere with the data frame sequencing. To escape an interfering data byte, insert 0x7D and follow it with the byte to be escaped XOR'd with 0x20. If not escaped, 0x11 and 0x13 are sent as is.

Data bytes that need to be escaped:

- 0x7E – Frame delimiter
- 0x7D – Escape
- 0x11 – XON
- 0x13 – XOFF

Example - Raw UART data frame (before escaping interfering bytes): 0x7E 0x00 0x02 0x23 0x11 0xCB
0x11 needs to be escaped which results in the following frame: 0x7E 0x00 0x02 0x23 0x7D 0x31 0xCB

Note In the previous example, the length of the raw data (excluding the checksum) is 0x0002 and the checksum of the non-escaped data (excluding frame delimiter and length) is calculated as:
 $0xFF - (0x23 + 0x11) = (0xFF - 0x34) = 0xCB$.

Start delimiter

This field indicates the beginning of a frame. It is always 0x7E. This allows the device to easily detect a new incoming frame.

Length

Frame data

This field contains the information that a device receives or will transmit. The structure of frame data depends on the purpose of the API frame:

Start delimiter	Length		Frame type	Frame data								Checksum
				Data								
1	2	3	4	5	6	7	8	9	...	n	n+1	
0x7E	MSB	LSB	API frame type	Data								Single byte

- **Frame type** is the API frame type identifier. It determines the type of API frame and indicates how the Data field organizes the information.
- **Data** contains the data itself. This information and its order depend on the what type of frame that the Frame type field defines.

Checksum

Calculate and verify checksums

To calculate the checksum of an API frame:

1. Add all bytes of the packet, except the start delimiter 0x7E and the length (the second and third bytes).
2. Keep only the lowest 8 bits from the result.
3. Subtract this quantity from 0xFF.

To verify the checksum of an API frame:

1. Add all bytes including the checksum; do not include the delimiter and length.
2. If the checksum is correct, the last two digits on the far right of the sum equal 0xFF.

Example

Consider the following sample data packet: **7E 00 0A 01 01 50 01 00 48 65 6C 6C 6F B8+**

Byte(s)	Description
7E	Start delimiter
00 0A	Length bytes
01	API identifier
01	API frame ID
50 01	Destination address low
00	Option byte
48 65 6C 6C 6F	Data packet
B8	Checksum

To calculate the check sum you add all bytes of the packet, excluding the frame delimiter **7E** and the length (the second and third bytes):

7E 00 0A 01 01 50 01 00 48 65 6C 6C 6F B8

Add these hex bytes:

$$01 + 01 + 50 + 01 + 00 + 48 + 65 + 6C + 6C + 6F = 247$$

Now take the result of 0x247 and keep only the lowest 8 bits which in this example is 0x47 (the two far right digits). Subtract 0x47 from 0xFF and you get 0xB8 (0xFF - 0x47 = 0xB8). 0xB8 is the checksum for this data packet.

If an API data packet is composed with an incorrect checksum, the XTC RF Module will consider the packet invalid and will ignore the data.

To verify the check sum of an API packet add all bytes including the checksum (do not include the delimiter and length) and if correct, the last two far right digits of the sum will equal FF.

$$01 + 01 + 50 + 01 + 00 + 48 + 65 + 6C + 6C + 6F + B8 = 2FF$$

Escaped characters in API frames

If operating in API mode with escaped characters (**AP** parameter = 2), when sending or receiving a serial data frame, specific data values must be escaped (flagged) so they do not interfere with the data frame sequencing. To escape an interfering data byte, insert 0x7D and follow it with the byte to be escaped (XOR'ed with 0x20).

The following data bytes need to be escaped:

- 0x7E: start delimiter
- 0x7D: escape character
- 0x11: XON
- 0x13: XOFF

To escape a character:

1. Insert 0x7D (escape character).
2. Append it with the byte you want to escape, XOR'ed with 0x20.

In API mode with escaped characters, the length field does not include any escape characters in the frame and the firmware calculates the checksum with non-escaped data.

Example: escape an API frame

To express the following API non-escaped frame in API operating mode with escaped characters:

Start delimiter	Length	Frame type	Frame Data	Checksum
			Data	
7E	00 0F	17	01 00 13 A2 00 40 AD 14 2E FF FE 02 4E 49 6D	

You must escape the 0x13 byte:

1. Insert a 0x7D.
2. XOR byte 0x13 with 0x20: $13 \oplus 20 = 33$

The following figure shows the resulting frame. Note that the length and checksum are the same as the non-escaped frame.

Start delimiter	Length	Frame type	Frame Data	Checksum
			Data	
7E	00 0F	17	01 00 7D 33 A2 00 40 AD 14 2E FF FE 02 4E 49 6D	

The length field has a two-byte value that specifies the number of bytes in the frame data field. It does not include the checksum field.

API frames

The following sections document API frame types.

Modem Status - 0x8A	81
Modem status codes	82
16-bit Transmit Request - 0x01	84
Transmit Status - 0x89	86
16-bit Receive Packet - 0x81	89

Modem Status - 0x8A

Description

This frame type is emitted in response to specific conditions. The status field of this frame indicates the device behavior.

Format

Offset	Size	Frame Field	Description
0	8-bit	Start Delimiter	Indicates the start of an API frame.
1	16-bit	Length	Number of bytes between the length and checksum.
3	8-bit	Frame type	Modem Status - 0x8A

Offset	Size	Frame Field	Description
4	8-bit	Modem status	Complete list of modem statuses: 0x00 = Hardware reset or power up 0x01 = Watchdog timer reset 0x02 = Joined network 0x03 = Left network 0x06 = Coordinator started 0x07 = Network security key was updated 0x0B = Network woke up 0x0C = Network went to sleep 0x0D = Voltage supply limit exceeded 0x0E = Remote Manager connected 0x0F = Remote Manager disconnected 0x11 = Modem configuration changed while join in progress 0x12 = Access fault 0x13 = Fatal error 0x3B = Secure session successfully established 0x3C = Secure session ended 0x3D = Secure session authentication failed 0x3E = Coordinator detected a PAN ID conflict but took no action 0x3F = Coordinator changed PAN ID due to a conflict 0x32 = BLE Connect 0x33 = BLE Disconnect 0x34 = Bandmask configuration failed 0x35 = Cellular component update started 0x36 = Cellular component update failed 0x37 = Cellular component update completed 0x38 = XBee firmware update started 0x39 = XBee firmware update failed 0x3A = XBee firmware update applying 0x40 = Router PAN ID was changed by coordinator due to a conflict 0x42 = Network Watchdog timeout expired 0x80 through 0xFF = Stack error Refer to the tables below for a filtered list of status codes that are appropriate for specific devices.
EOF	8-bit	Checksum	0xFF minus the 8-bit sum of bytes from offset 3 to this byte (between length and checksum).

Modem status codes

Statuses for specific modem types are listed here.

Examples

Each example is written without escapes (**AP = 1**) and all bytes are represented in hex format. For brevity, the start delimiter, length, and checksum fields have been excluded.

Boot status

When a device powers up, it returns the following API frame:

```
7E 00 02 8A 00 75
```

Frame type	Modem Status
0x8A	0x00
Status	Hardware Reset

16-bit Transmit Request - 0x01

Response frame: [Transmit Status - 0x89](#)

Description

This frame type is used to send serial payload data as an RF packet to a remote device with a corresponding 16-bit network address.

Note This frame format is deprecated and should only be used by customers who require compatibility with legacy Digi RF products. For new designs, we encourage you to use [Transmit Request frame - 0x10](#) to initiate API transmissions.

Format

The following table provides the contents of the frame. For details on frame structure, see [API frame format](#).

Offset	Size	Frame Field	Description
0	8-bit	Start Delimiter	Indicates the start of an API frame.
1	16-bit	Length	Number of bytes between the length and checksum.
3	8-bit	Frame type	16-bit Transmit Request - 0x01
4	8-bit	Frame ID	Identifies the data frame for the host to correlate with a subsequent response. If set to 0 , the device will not emit a response frame.
5	16-bit	Destination address	Set to the 16-bit network address of the destination device. If set to 0xFFFF , the broadcast address is used.
7	8-bit	Options	A bit field of options that affect the outgoing transmission: <ul style="list-style-type: none"> ■ Bit 0: Disable MAC ACK [0x01] ■ Bit 1: Reserved (set to 0) ■ Bit 2: Send packet with Broadcast PAN ID [0x04] <ul style="list-style-type: none"> • 802.15.4 firmwares only <p>Note Option values may be combined. Set all unused bits to 0.</p>
8-n	variable	RF data	The serial data to be sent to the destination. Use NP to query the maximum payload size that can be supported based on current settings.
EOF	8-bit	Checksum	0xFF minus the 8-bit sum of bytes from offset 3 to this byte (between length and checksum).

Examples

Each example is written without escapes (**AP = 1**) and all bytes are represented in hex format. For brevity, the start delimiter, length, and checksum fields have been excluded.

16-bit unicast

Sending a unicast transmission to a device with the 16-bit address of **1234** with the serial data "**TxData**".

The corresponding [Transmit Status - 0x89](#) response with a matching Frame ID will indicate whether the transmission succeeded.

```
7E 00 0B 01 87 12 34 00 54 78 44 61 74 61 EB
```

Frame type	Frame ID	16-bit dest address	Tx options	RF data
0x01	0x87	0x1234	0x00	0x547844617461
<i>Input</i>	<i>Matches response</i>			<i>"TxData"</i>

16-bit broadcast

Sending a broadcast transmission of the serial data "**Broadcast**" and suppressing the corresponding response by setting Frame ID to **0**.

```
7E 00 0E 01 00 FF FF 00 42 72 6F 61 64 63 61 73 74 6D
```

Frame type	Frame ID	16-bit dest address	Tx options	RF data
0x01	0x00	0xFFFF	0x00	0x42726F616463617374
<i>Input</i>	<i>Suppress response</i>	<i>Broadcast address</i>		<i>"Broadcast"</i>

Transmit Status - 0x89

Request frames:

- [TX Request: 64-bit address frame - 0x00](#)
- [TX Request: 16-bit address - 0x01](#)
- [User Data Relay Input - 0x2D](#)

Description

This frame type is emitted when a transmit request completes. The status field of this frame indicates whether the request succeeded or failed and the reason.

This frame is only emitted if the Frame ID in the request is non-zero.

Note Broadcast transmissions are not acknowledged and always return a status of **0x00**, even if the delivery failed.

Format

The following table provides the contents of the frame. For details on frame structure, see [API frame specifications](#).

Offset	Size	Frame Field	Description
0	8-bit	Start Delimiter	Indicates the start of an API frame.
1	16-bit	Length	Number of bytes between the length and checksum.
3	8-bit	Frame type	Transmit Status - 0x89
4	8-bit	Frame ID	Identifies the data frame for the host to correlate with a prior request.

Offset	Size	Frame Field	Description
5	8-bit	Delivery status	Complete list of delivery statuses: 0x00 = Success 0x01 = No ACK received 0x02 = CCA failure 0x03 = Indirect message unrequested 0x04 = Transceiver was unable to complete the transmission 0x21 = Network ACK failure 0x22 = Not joined to network 0x2C = Invalid frame values (check the phone number) 0x31 = Internal error 0x32 = Resource error - lack of free buffers, timers, etc. 0x34 = No Secure Session Connection 0x35 = Encryption Failure 0x74 = Message too long 0x76 = Socket closed unexpectedly 0x78 = Invalid UDP port 0x79 = Invalid TCP port 0x7A = Invalid host address 0x7B = Invalid data mode 0x7C = Invalid interface. See User Data Relay Input - 0x2D . 0x7D = Interface not accepting frames. See User Data Relay Input - 0x2D . 0x7E = A modem update is in progress. Try again after the update is complete. 0x80 = Connection refused 0x81 = Socket connection lost 0x82 = No server 0x83 = Socket closed 0x84 = Unknown server 0x85 = Unknown error 0x86 = Invalid TLS configuration (missing file, and so forth) 0x87 = Socket not connected 0x88 = Socket not bound Refer to the tables below for a filtered list of status codes that are appropriate for specific devices.
EOF	8-bit	Checksum	0xFF minus the 8-bit sum of bytes from offset 3 to this byte (between length and checksum).

Delivery status codes

Protocol-specific status codes follow

Examples

Each example is written without escapes (**AP = 1**) and all bytes are represented in hex format. For brevity, the start delimiter, length, and checksum fields have been excluded.

Successful transmission

Host sent a unicast transmission to a remote device using a [TX Request: 64-bit address frame - 0x00](#) frame.

The corresponding 0x89 Transmit Status with a matching Frame ID is emitted as a response to the request:

7E 00 03 **89 52 00** 24

Frame type	Frame ID	Delivery status
0x89	0x52	0x00
<i>Response</i>	<i>Matches request</i>	<i>Success</i>

16-bit Receive Packet - 0x81

Request frames:

- [Transmit Request - 0x10](#)
- [Explicit Addressing Command Request - 0x11](#)
- [64-bit Transmit Request - 0x00](#)
- [16-bit Transmit Request - 0x01](#)

Description

This frame type is emitted when a device configured with legacy API output— = **2**—receives an RF data packet from a device configured to use 16-bit source addressing—**MY < 0xFFFFE**.

Note This frame format is deprecated and should only be used by customers who require compatibility with legacy Digi RF products. For new designs, we encourage you to use [Receive Packet frame - 0x90](#) for reception of API transmissions.

Format

The following table provides the contents of the frame. For details on frame structure, see [API frame specifications](#).

Offset	Size	Frame Field	Description
0	8-bit	Start Delimiter	Indicates the start of an API frame.
1	16-bit	Length	Number of bytes between the length and checksum.
3	8-bit	Frame type	16-bit Receive Packet - 0x81
4	16-bit	16-bit source address	The sender's 16-bit network address.
6	8-bit	RSSI	Received Signal Strength Indicator. The Hexadecimal equivalent of (-dBm) value. For example if RX signal strength is -40 dBm, then 0x28 (40 decimal) is returned.

Offset	Size	Frame Field	Description
7	8-bit	Options	Bit field of options that apply to the received message: <ul style="list-style-type: none"> ■ Bit 0: Reserved ■ Bit 1: Packet was sent as a broadcast [0x02] ■ Bit 2: 802.15.4 only - Packet was broadcast across all PANs [0x04] <hr/> Note Option values may be combined.
8-n	variable	RF data	The RF payload data that the device receives.
EOF	8-bit	Checksum	0xFF minus the 8-bit sum of bytes from offset 3 to this byte (between length and checksum).

Examples

Each example is written without escapes (**AP = 1**) and all bytes are represented in hex format. For brevity, the start delimiter, length, and checksum fields have been excluded.

64-bit unicast

A device with the 16-bit address of **1234** sent a unicast transmission to a specific device with the payload of "**TxData**". The following frame is emitted if the destination is configured with **AO = 2**.

```
7E 00 0B 81 12 34 5E 01 54 78 44 61 74 61 93
```

Frame type	64-bit source	RSSI	Rx options	Received data
0x80	0x1234	0x5E	0x01	0x547844617461
<i>Output</i>		-94 dBm	ACK was sent	"TxData"

Network configurations

Network topologies	92
Addressing	94
Basic communications	95
Acknowledged communications: Acknowledged mode	102

Network topologies

The device supports three different network topologies:

- Point-to-point
- Point-to-multipoint
- Peer-to-peer

Point-to-point networks

This following section provides the RF communication type and RF mode for XTC RF Module point-to-point networks.

Definition

Point-to-point means that an RF data link exists between two devices.



Sample network profile (Broadcast communications)

Use default values for all devices.

Sample network profile (Acknowledged communications)

Note Assume default values for all parameters that are not in this list. These profiles do not reflect addressing implementations.

1. Use XCTU or an alternative terminal program to send the **AM** command. See [AM \(Auto-set MY\)](#) for details.
2. Set the destination address to 0xFFFF, send: **DT FFFF**

Basic RF modes

Streaming, Multi-Transmit, Repeater.

Acknowledged RF mode

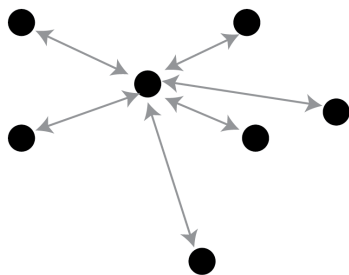
Acknowledged mode.

Point-to-multipoint networks

This following section provides the RF communication type and RF mode for XTC RF Module point-to-multipoint networks.

Definition

Point-to-multipoint refers to a network with RF data links between one base and multiple remotes.



Sample network profile (Broadcast communications)

Note Assume default values for all parameters that are not in this list. These profiles do not reflect addressing implementations.

Base:

1. Send **MY 0** to set the source address to 0x00.
2. Send **DT FFFF** to set the destination address to 0xFFFF.

Remotes:

1. Use XCTU or another terminal program to send the **AM** command. See [AM \(Auto-set MY\)](#) for details.
2. Send **DT 0** to set the destination address to 0x00.

Sample network profile (Acknowledged communications)

Note Assume the default value for all parameters that are not in this list. These profiles do not reflect addressing implementations.

Base:

1. Send **MY 0** to set the source address to 0x00.
2. Send **DT FFFF** to set the destination address to 0xFFFF.
3. Send **RR 3** to set the number of retries to 3.

Remotes:

1. Use XCTU or another terminal program to send the **AM** command.
2. Send **DT FFFF** to set the destination address to 0xFFFF.
3. Send **RR 3** to set the number of retries to 3.

Basic RF modes

Streaming, Multi-Transmit, Repeater, and Polling.

Acknowledged RF mode

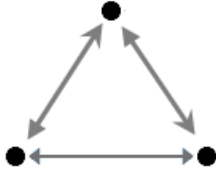
Acknowledged and Polling.

Peer to peer networks

This following section provides the RF communication type and RF mode for XTC RF Module peer-to-peer networks.

Definition

In Peer-to-peer networks, devices remain synchronized without the use of master/slave dependencies. Each device shares the roles of master and slave. Digi's peer-to-peer architecture features fast synch times (35 ms to synchronize devices) and fast cold start times (50 ms before transmission).

**Sample network profile (Broadcast communications)**

Note Assume default values for all parameters that are not in this list. These profiles do not reflect addressing implementations.

Use default values for all devices.

Sample network profile (Acknowledged communications)

Note Assume default values for all parameters that are not in this list. These profiles do not reflect addressing implementations.

All devices:

1. Send **MY 0** to set the source address to 0x00.
2. Send **DT FFFF** to set the destination address to 0xFFFF.
3. Send **RR 3** to set the number of retries to 3.

Basic RF modes

Streaming.

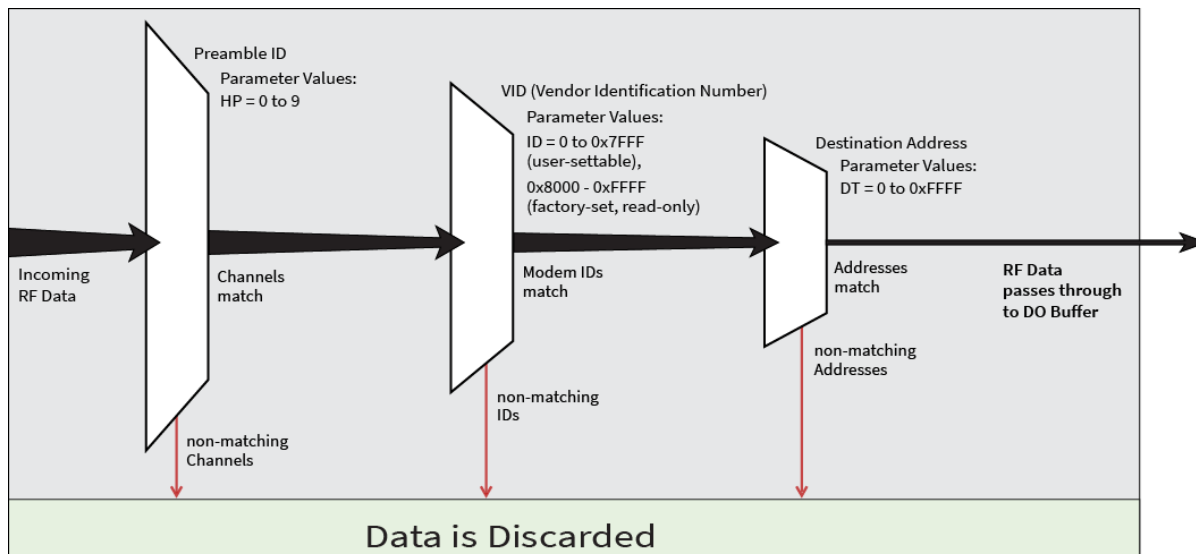
Acknowledged RF mode

Acknowledged.

Addressing

Each RF packet contains addressing information that the receiving devices use to filter incoming RF data. Receiving devices inspect the Preamble ID (**HP** parameter), Vendor Identification Number (**ID** parameter) and Destination Address (**DT** parameter) in each RF packet. A receiving device discards all data that does not pass through all three network security layers.

The following image illustrates the addressing layers in the RF packet header.



Address recognition

The transmitting device can address transmission packets to a specific device or group of devices using the **DT** and **MK** commands. A receiving device only accepts a packet if it determines that the packet is addressed to it, either as a global or local packet. The receiving device makes this determination by inspecting the destination address of the packet and comparing it to its own address and address mask.

The transmitting device determines whether the packet is for a specific node (local address) or multiple nodes (global address) by comparing the packet's destination address (**DT**) and its own address mask (**MK**). This assumes that the user has programmed the address masks on the transmitting device and receiving device to the same value for proper operation in each RF communication mode.

For more information, see [DT \(Destination Address\)](#) and [MK \(Address Mask\)](#).

Basic communications

Basic communications includes two sub-types:

- **Broadcast.** By default, the XTC RF Modules communicate through Broadcast communications and within a peer-to-peer network topology. When any device transmits, all other devices within range receive the data and pass it directly to their host device.
- **Addressed.** If addressing parameters match, the device forwards the RF data it receives to the DOUT buffer; otherwise, it discards the RF data.

When using Basic communications, the integrator handles any functions, such as acknowledgments, at the application layer. The Broadcast modes provide transparent communications, meaning that the RF link replaces a wired link.

Streaming mode (default)

Streaming mode is most appropriate for data systems that are more sensitive to latency and/or jitter than to occasional packet loss; for example: streaming audio or video.

Characteristics	Highest data throughput Lowest latency and jitter Reduced immunity to interference Transmissions never acknowledged (ACK) by receiving device (s)
Required parameter values (TX device)	RR = 0
Related commands	Networking (DT, MK, MY), Serial interfacing (PK, RB, RO, TT)

Streaming mode connection sequence

Events and processes in this mode are common to all of the other RF modes.

When streaming data, the firmware only observes the **RB** and **RO** parameters on the first packet.

After transmission begins, the transmission event continues without interruption until the DIN buffer is empty or the device reaches the streaming limit (**TT** parameter). As with the first packet, the payload of each subsequent packet includes up to the maximum packet size (**PK** parameter).

The TX (transmitting) device specifies the **TT** parameter as the maximum number of bytes the TX device can send in one transmission event. After the device reaches the **TT** parameter threshold, the TX device forces a random delay of 1 to **RN** delay slots; exactly 1 delay slot if **RN = 0**.

The TX device sends subsequent packets without an RF initializer since RX (receiving) devices remain synchronized with the TX device for the duration of the transmission (from preceding packet information). However, due to interference, some RX devices may lose data (and synchronization to the TX device), particularly during long transmission events.

Once the TX device has sent all pending data or has reached the **TT** limit, the transmission event ends. The TX device does not transmit again for exactly **RN** delay slots if the local (for example the TX device's) **RN** parameter is set to a nonzero value. The RX device(s) do not transmit for a random number of delay slots between 0 and (**RN**-1) if the local (for example the RX device's) **RN** parameter is set to a non-zero value. These delays lessen congestion following long bursts of packets from a single TX device, during which several RX devices may have become ready to transmit.

Multi-transmit mode

Use Multi-transmit mode for applications that require reliable delivery without using retries and acknowledgments.

Characteristics	Reliable delivery through forcing the transmission of every RF packet. Every RF packet is sent exactly MT + 1 times, with no delays between packets. Diminished throughput and increased latency.
Required parameter values (TX device)	MT ≥ 1.
Related commands	Networking (DT, MK, MY, RN, TT), Serial interfacing (BR, PK, RB, RO), RF interfacing (FS).

Multi-transmit mode connection sequence

In Multi-transmit mode, the device re-transmits each packet **MT** times, for a total of **(MT+1)** transmissions. There is no delay between retransmissions, and the TX (transmitting) device never receives RF data between retransmissions. Each retransmission includes an RF initializer. A transmission event may include follow-on packets, each of which retransmit **MT** times. Devices ignore the Forced Sync (**FS**) parameter in Multi-Transmit Mode.

The firmware does not apply the **RB** and **RO** parameters to follow-on packets, meaning that once transmission has begun, it continues without interruption until the DIN buffer is empty or the device reaches the streaming limit (**TT** parameter). As with the first packet, the payload of each follow-on packet includes up to the maximum packet size (**PK** parameter) bytes, and the TX device checks for more pending data near the end of each packet. The device does not send follow-on packets until it finishes all retransmissions of the previous packet.

The TX device specifies the streaming limit (**TT**) as the maximum number of bytes that the TX device can send in one transmission event, which may consist of many packets. If the device reaches the **TT** parameter limit, the TX device forces a random delay of 1 to **RN** delay slots (exactly 1 delay slot if **RN** is zero). In Multi-transmit mode, the firmware counts each packet only once when tracking the streaming limit (**TT**), no matter how many times it is retransmitted.

When an RX (receiving) device receives a Multi-transmit packet, it calculates the amount of time remaining in the Multi-transmit event, and inhibits its own transmissions for the duration of the Multi-transmit event, plus a random number of delay slots between 0 and **(RN-1)**. If the local **RN** parameter is zero, the delay is only for the calculated duration of the event. An RX device only needs to receive one of the transmissions, and it keeps the channel turned off until the TX device has completed transmission. If follow-on packets are received, the RX devices move to the new frequency and listen for the follow-on packet for a specific period of time.

Repeater mode

Use Repeater mode in networks where you need intermediary devices to relay data to devices beyond the transmission range of the base device.

<p>Characteristics</p>	<p>Low power consumption. Minimizes interference Tags each RF packet with a unique Packet ID (PID). Each repeater repeats a packet only once (the PID tracks the packet). Increases latency and decreases throughput. The number of hops determine latency and throughput, not the number of repeaters. Multiple repeaters within the range of a source node count as one hop. All RF packets propagate to every device in the network (filtering rules apply). Packet destination addresses (DT) determine which packets the device sends out via the serial port and/or retransmits. Broadcast communications: each packet is transmitted by every node once. Addressed communications: all devices see every packet. Only devices with a matching address forward it to the DOUT buffer.</p>
<p>Constraints</p>	<p>Requires that each device have a unique MY parameter. System must introduce only one packet at a time to the network for transmission. The PK parameter determines the maximum number of bytes. Each hop (H) decreases network throughput by a factor of 1/(H+1). Additional repeaters add network redundancy without decreasing throughput.</p>

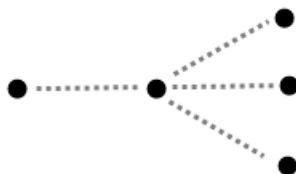
Suggestions	Insert a variable delay before repeating packets to avoid collisions (based on RSSI). Buffer any incoming serial data and delay response packet transmissions until the previous packet clears out of the network. For best results, use the RO and RB commands to ensure that the RF packets are aligned with the underlying protocol packets as the network can accept only one RF packet at a time.
Required parameter values (TX device)	MD = 5 or 6. MY = unique value. You can accomplish this by issuing the AM and WR commands to all devices in the network.
Related commands	Networking (MD, DT, MY, AM), Serial interfacing (RN, PK, RO, RB)

Repeater mode theory of operation

You can extend the effective range and reliability of your data system by forwarding traffic through one or more repeaters. Instead of using routing tables and path discovery to establish dynamic paths through a network, the repeater system uses a sophisticated algorithm to propagate each RF packet through the entire network.

The network supports RF packets up to 2048 bytes when the RF data rate is set at 115200 bps (**BR = 1**). The repeater network can operate using broadcast or addressed communications for multi-drop networks, and it works well in many systems with no special configuration.

When in Repeater mode, the network repeats each message among all available devices exactly one time. This mechanism eliminates the need for configuring specific routes. The following figure illustrates the Repeater network topology.



Configure a repeater network

If an RF link is weak, a device is out-of-range or a difficult RF environment is present; you can use repeaters to extend the effective range and reliability of the network.

A network may consist of End Nodes (EN), End/Repeater Nodes (ERN) and a Base Node (BN). The base node initiates all communications. Both Repeater Nodes and End Nodes can source data, allowing connection to host devices. Repeater Nodes however, are able to repeat information in a simple store and forward fashion. As an example, one End Node (which can be a base or remote) must send a message to another End Node. Because the End Node is out of range of the base device, you can use a repeater to forward information from the Base to the End Node.

You can configure a repeater network to operate using Basic Broadcast or Basic Addressed communications. The addressing capabilities of the device allow integrators to send a packet as a global packet (**DT = 0xFFFF**) and shift out of every device in the network (Basic Broadcast). Alternately, you can send the packet with a specific **DT** parameter so that only a specific remote node accepts it (Basic Addressed).

Repeater network: configure communications

To configure a Repeater network for Basic broadcast communications:

1. Assign each device a unique **MY** (source) address. Use the **AM** command to configure a unique source address based on the device serial number. This is essential because a unique packet ID on each RF packet is based on the originator’s **MY** value.
2. Set **DT** = 0xFFFF to enable Basic Broadcast communications OR Basic Addressed communications (**DT** specifies a specific destination).
3. Configure **PK**, **RO** and **RB** to ensure that the RF packet aligns with the protocol packet. For example:
PK = 0x100
RB = 0x100
RO depends on the baud rate
4. Set **MD** = 5 to configure one or more devices that you do not intend to be repeaters as repeater End Nodes in the system.
5. Set **MD** = 6 to configure remote nodes as destinations. This ensures that the remote node waits for the repeater traffic to subside before it transmits a response.

To configure a Repeater network for Basic addressed communications, use **DT** to assign unique addresses to each device in the network.

AT commands to configure Repeater network functions

The following table lists the AT commands you use to configure repeater functions.

AT command	Binary command	Range	# Bytes returned	Factory default
AM (Auto-set MY)	0x3A (58d)	-	-	-
DT (Destination Address)	0x00 (0d)	0 - 0xFFFF	2	0
MD (RF Mode)	0x3C (60d)	0 - 6	1	0
MY (Source Address)	0x2A (42d)	0 - 0xFFFF	2	0xFFFF
RN (Delay Slots)	0x19 (25d)	0 - 0xFF [slots]	1	0
WR (Write)	0x08 (8d)	-	-	-

Repeater network algorithm details

The firmware uses an algorithm to propagate each RF packet through the entire repeater network. Within a repeater network, the firmware only defines Repeater Nodes and repeater End Nodes. Repeater Nodes forward messages on to other devices within range; End Nodes do not.

The algorithm maintains a list of messages previously received in a buffer. The firmware discards messages already in the buffer. This eliminates End Nodes receiving multiple copies of a packet from more than one source, and also eliminates multiple repeaters within range of each other from continually passing messages in an infinite loop.

- Packet ID (PID) is composed of the TX (transmitting) device **MY** address and the packet sequence number.

- The firmware ignores incoming packets with a PID already in the buffer.
- Each device maintains a PID buffer 4-deep of previously received packets (managed as FIFO).

The firmware may shift packets out the serial port and/or repeat them depending on the **DT** parameter in the RF packet. The following table shows the basis for these decisions.

Address Match	Send out serial port?	Repeat?
Global	Yes	Yes
Local	Yes	No
None	No	Yes

Repeat delay based on RSSI

A transmitted packet may be received by more than one repeater at the same time. In order to reduce the probability that the repeaters will transmit at the same instant, resulting in a collision and possible data loss; the firmware uses an algorithm that allows a variable back-off prior to a repeater retransmitting the packet. The algorithm allows devices that receive the packet with a stronger RF signal (RSSI) to have the first opportunity to retransmit the packet.

Use the **RN** (Delay Slots) parameter to configure this delay. Set **RN** = 0 (no delays) for small networks with few repeaters or repeaters that are not within range of each other. Set **RN** = 1 for systems with two to five repeaters that may be within range of each other.

The actual length of the delay is computed by the formula:

$$\text{Delay (ms)} = L * DS$$

$$DS = (-41 - \text{RSSI}) / 10 * RN + \text{RandomInt}(0, RN)$$

Where L is the length of the transmitted packet in milliseconds, DS is the number of delay slots to wait, RSSI is the received signal strength in dBm, RN is the value of the **RN** register and RandomInt (A, B) is a function that returns a random integer from A to B-0

Response packet delay

As a packet propagates through the repeater network, if any node receives the data and generates a quick response, the network needs to delay the response so as not to collide with subsequent retransmissions of the original packet. To reduce collisions, both repeater and end node devices in a repeater network delay transmission of data shifted in the serial port to allow any repeaters within range to complete their retransmissions.

The time for this delay is computed by the formula:

$$\text{Maximum Delay (ms)} = L * DS$$

$$DS = ((-41 - (-100)) / 10) * RN + RN + 1$$

Where L is the length of the transmitted packet in milliseconds, DS is the number of delay slots to wait, RSSI is the received signal strength in dBm, and RN is the value of the **RN** register.

Bandwidth considerations

Using broadcast repeaters in a network reduces the overall network data throughput as each repeater must buffer an entire packet before retransmitting it. For example: if the destination is within range of the transmitter and the packet is 32-bytes long, the transmission takes 12 ms on a device operating at 115,200 baud. If the same packet must propagate through two repeaters, it takes 12 ms to arrive at the first repeater, 12 ms to get to the second and a final 12 ms to reach the destination for a total of 36 ms. Accounting for UART transfer times (~1 ms/byte at 9600 baud), the

time for a server to send a 32-byte query and receive a 32-byte response is about 200 ms, allowing for five polls per second. With the two repeaters in the path, the same query/response sequence would take about 500 ms for two polls per second.

Generally, network throughput decreases by a factor of $1/(R+1)$, with R representing the number of repeaters between the source and destination.

Polling mode (basic)

Polling mode (basic) and Polling mode (acknowledged) operate in the same way. The only difference between the two modes is in their means of achieving reliable delivery of data. Polling mode (basic) uses multiple transmissions to achieve reliable delivery.

Characteristics	<p>Uses a high percentage of available network bandwidth.</p> <p>Eliminates collisions.</p> <p>Works with reliable delivery (RR or MT parameters).</p> <p>Supports binary data transfers.</p> <p>Base device requests packets from remote device by polling a sequential range of addresses.</p> <p>Base device is configured to specify the range of addresses being polled.</p> <p>Uses inter-character delay to create RF packet lengths aligned with protocol packet lengths up to 2048 bytes long.</p>
Constraints	<p>The minimum time interval between polling cycles is configurable. However, if the remote devices cannot all be processed within that time interval, the polling cycle is ineffective (that is, it will impose no additional delay). In order to ensure a pause between polling cycles, you must set PD to a value that is large enough to accommodate the pause.</p>
Recommended use	<p>Use for point-to-multipoint applications that require Reliable Delivery of data. Use this mode when it is critical that a base device be able to discern data coming from multiple devices.</p>
Required parameter values (Base)	<p>MD (RF Mode) = 3</p> <p>PB (Polling Begin Address)</p> <p>PE (Polling End Address)</p>
Required parameter values (Remote)	<p>MD (RF Mode) = 4</p>
Related commands	<p>Networking: MT, PD, DT, and MY</p>

Polling mode theory of operation

A Polling Base device cycles through a sequential range of addresses. The Polling Base polls each Polling Remote device, waits for a response, then poll the next remote address in the sequence. Each Polling Remote responds by sending the data from its DIN buffer following the RB and RO parameters. When there is no eligible data to send, the Polling Remote does not respond. The Polling Base polls the next address in the polling sequence after a short delay.

Configure a Polling Base

To configure a device as a Polling Base:

1. Set **MD** = 3.
2. Set **MY** = 0.
3. Set the sequential range of polling addresses using **PB** and **PE**.
4. (Optional) Enable Basic Reliable Delivery (**MT** ≥ 0). The firmware also supports Acknowledged Reliable Delivery. For more information, see [Polling mode \(acknowledged\)](#).
5. (Optional) Use **PD** to configure a delay between polls to slow down the system, if needed.
6. (Optional) Enable API Mode to address remote devices within polling range on a packet-by-packet basis.

Configure a Polling Remote

To configure a device as a Polling Remote:

1. Set **MD** = 4.
2. Configure sequential source addresses for all remote devices using **MY**.
3. Set **DT** to point to the Polling Base (**DT** = 0x0000).
4. (Optional) Enable Basic Reliable Delivery (**MT** >= 0). The firmware also supports Acknowledged Reliable Delivery. For more information, see [Polling mode \(acknowledged\)](#).

Acknowledged communications: Acknowledged mode

Use Acknowledged mode for applications that need reliable delivery. If messages are smaller than 256 bytes, use the RB and RO commands to align RF packets to application packets.

Characteristics	Reliable delivery through positive acknowledgments for each packet. Throughput, latency and jitter vary depending on the quality of the channel and the strength of the signal.
Required parameter values (TX device)	RR (Retries) >= 1
Related commands	Networking (DT, MK, RR), Serial Interfacing (PK, RN, RO, RB, TT)

Acknowledged mode connection sequence

After sending a packet while in Acknowledged mode, the TX (transmitting) device listens for an acknowledgment (ACK). If it receives the ACK, it either moves on to sending a subsequent packet if more transmit data is pending or waits for exactly **RN** random delay slots before allowing another transmission if no more data is pending transmit.

If the TX device does not receive the ACK within the allotted time, it retransmits the packet with a new RF initializer following the ACK slot. There is no delay between the first ACK slot and the first retransmission. Subsequent retransmissions incur a delay of a random number of delay slots, between 0 and **RN**. If **RN** is set to 0 on the TX device, there are never any back-off delays between retransmissions. During back-off delays, the TX device goes into Idle Mode and may receive RF data. This can have the effect of increasing the back-off delay, as the device cannot return to Transmit (or retransmit) mode as long as it is receiving RF data.

After receiving and acknowledging a packet, the RX (receiving) device moves to the next frequency and listens for either a retransmission or new data for a specific period of time. Even if the TX device indicates that it has no more pending transmit data, it may not have received the previous ACK, and hence may retransmit the packet, possibly with no delay after the ACK slot. In this case, the RX device always detects the immediate retransmission, which holds off the communications channel and reduces collisions. RX devices acknowledge each retransmission they receive, but they only pass the first copy of a packet that they receive out the UART.

The device does not apply the **RB** and **RO** parameters to subsequent packets, meaning that once transmission begins, it continues uninterrupted until the DIN buffer is empty or it reaches the streaming limit (**TT** parameter). As with the first packet, the payload of each subsequent packet includes up to the maximum packet size (**PK** parameter), and the TX device checks for more pending data near the end of each packet.

The **TT** parameter specifies the maximum number of bytes that the TX device sends in one transmission event, which may consist of many packets and retries. If a device reaches the **TT** parameter limit, the TX device forces a random delay of 1 to **RN** delay slots (exactly 1 delay slot if **RN** is zero). Each packet counts only once toward **TT**, no matter how many times the packet is retransmitted.

Subsequent packets in Acknowledged mode are similar to those in Streaming mode, with the addition of an ACK between each packet, and the possibility of retransmissions. The device sends subsequent packets without an RF initializer, as the RX devices are already synchronized to the TX device from the preceding packet(s) and they remain synchronized for the duration of the transmission event. Each packet retransmission includes an RF initializer.

Once the TX device sends all pending data or reaches the **TT** limit, the acknowledged transmission event is complete. The TX device does not transmit again for exactly **RN** delay slots, if the local **RN** parameter is set to a non-zero value. The RX device does not transmit for a random number of delay slots between 0 and (**RN**-1), if the local **RN** parameter is set to a non-zero value. The intent of these delays is to lessen congestion following long bursts of packets from a single TX device, during which several RX devices may have themselves become ready to transmit.

Polling mode (acknowledged)

Polling mode (acknowledged) and Polling mode (basic) operate in the same way. The difference between the two modes is in their means of achieving the reliable delivery of data. In Polling mode (acknowledged), the firmware achieves reliable delivery using retries and acknowledgments.

Characteristics	Uses a high percentage of available network bandwidth. Eliminates collisions. Works with reliable delivery (RR or MT parameters). Supports binary data transfers. Base device requests packets from remote device by polling a sequential range of addresses. Base device is configured to specify the range of addresses being polled. Uses inter-character delay to create RF packet lengths aligned with protocol packet lengths up to 2048 bytes long.
Constraints	The minimum time interval between polling cycles is configurable. However, if the remote devices cannot all be processed within that time interval, the polling cycle is ineffective (i.e. it will impose no additional delay). In order to ensure a pause between polling cycles, PD must be set to a value which is large enough to accommodate the pause.

Recommended use	Use for point-to-multipoint applications that require Reliable Delivery of data. Use this mode when it is critical that a base device be able to discern data coming from multiple devices.
Required parameter values (Base)	MD (RF Mode) = 3, PB (Polling Begin Address) PE (Polling End Address)
Required parameter values (Remote)	MD (RF Mode) = 4
Related commands	Networking (RR, PD, DT, MY)

For configuration and theory of operation information, see [Polling mode theory of operation](#), [Configure a Polling Base](#) and [Configure a Polling Remote](#).

Regulatory information

FCC (United States)	106
ISED (Innovation, Science and Economic Development Canada)	121
ACMA (Australia)	122
IFETEL (Mexico)	123

FCC (United States)

These RF modules comply with Part 15 of the FCC rules and regulations. Compliance with the labeling requirements, FCC notices and antenna usage guidelines is required.

In order to operate under Digi's FCC Certification, integrators must comply with the following regulations:

1. The integrator must ensure that the text provided with this device (in the labeling requirements section that follows) is placed on the outside of the final product and within the final product operation manual.
2. The device may only be used with antennas that have been tested and approved for use with this device; refer to [FCC antenna certifications](#).

OEM labeling requirements



WARNING! The Original Equipment Manufacturer (OEM) must ensure that FCC labeling requirements are met. This includes a clearly visible label on the outside of the final product enclosure that displays the text shown in the figure below.

The following text is the required FCC label for OEM products containing the XBee-PRO SX RF Module:

Contains FCC ID: MCQ-XBPSX

The enclosed device complies with Part 15 of the FCC Rules. Operation is subject to the following two conditions: *(i.)* this device may not cause harmful interference and *(ii.)* this device must accept any interference received, including interference that may cause undesired operation.

The following text is the required FCC label for OEM products containing the XBee SX RF Module:

Contains FCC ID: MCQ-XBSX

The enclosed device complies with Part 15 of the FCC Rules. Operation is subject to the following two conditions: *(i.)* this device may not cause harmful interference and *(ii.)* this device must accept any interference received, including interference that may cause undesired operation.

FCC notices

IMPORTANT: These RF modules have been certified by the FCC for use with other products without any further certification (as per FCC section 2.1091). Modifications not expressly approved by Digi could void the user's authority to operate the equipment.

IMPORTANT: Integrators must test final product to comply with unintentional radiators (FCC sections 15.107 & 15.109) before declaring compliance of their final product to Part 15 of the FCC rules.

IMPORTANT: These RF modules have been certified for remote and base radio applications. If the module will be used for portable applications, the device must undergo SAR testing.

This equipment has been tested and found to comply with the limits for a Class B digital device, pursuant to Part 15 of the FCC Rules. These limits are designed to provide reasonable protection against harmful interference in a residential installation. This equipment generates, uses and can radiate radio frequency energy and, if not installed and used in accordance with the instructions, may cause harmful interference to radio communications. However, there is no guarantee that interference will not occur in a particular installation.

If this equipment does cause harmful interference to radio or television reception, which can be determined by turning the equipment off and on, the user is encouraged to try to correct the interference by one or more of the following measures: Re-orient or relocate the receiving antenna,

Increase the separation between the equipment and receiver, Connect equipment and receiver to outlets on different circuits, or Consult the dealer or an experienced radio/TV technician for help.

RF exposure statement

This statement must be included as a CAUTION statement in integrator product manuals.



WARNING! This equipment is approved only for mobile and base station transmitting devices. Antenna(s) used for this transmitter must be installed to provide a separation distance of at least 34 cm from all persons and must not be co-located or operating in conjunction with any other antenna or transmitter.

FCC antenna certifications



WARNING! This device has been tested with the antennas listed in the tables of this section. When integrated into products, fixed antennas require installation preventing end users from replacing them with non-approved antennas. Antennas not listed in the tables must be tested to comply with FCC Section 15.203 (unique antenna connectors) and Section 15.247 (emissions).

Fixed base station and mobile applications

Digi devices are pre-FCC approved for use in fixed base station and mobile applications. When the antenna is mounted at least 34 cm from nearby persons, the application is considered a mobile application.

Portable applications and SAR testing

When the antenna is mounted closer than 34 cm to nearby persons, then the application is considered "portable" and requires an additional test be performed on the final product. This test is called Specific Absorption Rate (SAR) testing and measures the emissions from the device and how they affect the person.

RF exposure statement

This statement must be included as a CAUTION statement in integrator product manuals.



WARNING! This equipment is approved only for mobile and base station transmitting devices. Antenna(s) used for this transmitter must be installed to provide a separation distance of at least 34 cm from all persons and must not be co-located or operating in conjunction with any other antenna or transmitter.

XBee-PRO XTC antenna options

The following tables cover the antennas that are approved for use with the XBee-PRO XTC RF modules. If applicable, the tables show the required cable loss between the device and the antenna.

Digi does not carry all of these antenna variants. Contact Digi Sales for available antennas.

XBee-PRO XTC Dipole antennas

All antenna part numbers followed by an asterisk (*) are not available from Digi. Consult with an antenna manufacturer for an equivalent option.

Part number	Type	Connector	Gain	Required antenna cable loss	Application
A09-HSM-7 1	Straight half-wave	RPSMA	2.1 dBi	0.4 dB	Fixed / mobile
A09-HASM-675	Articulated half-wave	RPSMA	2.1 dBi	0.4 dB	Fixed / mobile
A09-HABMM-P5I	Swivel half wave with 5" pigtail	MMCX	2.1 dBi	0.4 dB	Fixed / mobile
A09-HBMM-P5I	Straight half-wave with 6" pigtail	MMCX	2.1 dBi	0.4 dB	Fixed / mobile
A09-HASM-7*	Articulated half-wave	RPSMA	2.1 dBi	0.4 dB	Fixed
A09-HRSM*	Right angle half-wave	RPSMA	2.1 dBi	0.4 dB	Fixed
A09-HG*	Glass mounted half-wave	RPSMA	2.1 dBi	0.4 dB	Fixed
A09-HATM*	Articulated half-wave	RPTNC	2.1 dBi	0.4 dB	Fixed
A09-H*	Half-wave dipole	RPSMA	2.1 dBi	0.4 dB	Fixed

Yagi antennas

All antenna part numbers followed by an asterisk (*) are not available from Digi. Consult with an antenna manufacturer for an equivalent option.

¹Installers should apply additional torque to screw on the antenna.

Part number	Type	Gain	Connector	Required antenna cable loss	Application
A09-Y6NF*	2 element Yagi	6.1 dBi	N	2.0 dB	Fixed/mobile
A09-Y7NF*	3 element Yagi	7.1 dBi	N	3.0 dB	Fixed/mobile
A09-Y8NF	4 element Yagi	8.1 dBi	N	4.0 dB	Fixed/mobile
A09-Y9NF*	4 element Yagi	9.1 dBi	N	5.0 dB	Fixed/mobile
A09-Y10NF*	5 element Yagi	10.1 dBi	N	6.0 dB	Fixed/mobile
A09-Y11NF	6 element Yagi	11.1 dBi	N	7.0 dB	Fixed/mobile
A09-Y12NF*	7 element Yagi	12.1 dBi	N	8.0 dB	Fixed/mobile
A09-Y13NF*	9 element Yagi	13.1 dBi	N	9.0 dB	Fixed/mobile
A09-Y14NF*	14 element Yagi	14.0 dBi	N	9.9 dB	Fixed/mobile
A09-Y6TM*	2 element Yagi	6.1 dBi	RPTNC	2.0 dB	Fixed/mobile
A09-Y7TM*	3 element Yagi	7.1 dBi	RPTNC	3.0 dB	Fixed/mobile
A09-Y8TM*	4 element Yagi	8.1 dBi	RPTNC	4.0 dB	Fixed/mobile
A09-Y9TM*	4 element Yagi	9.1 dBi	RPTNC	5.0 dB	Fixed/mobile
A09-Y10TM-P10I	5 element Yagi	10.1 dBi	RPTNC	6.0 dB	Fixed/mobile
A09-Y11TM*	6 element Yagi	11.1 dBi	RPTNC	7.0 dB	Fixed/mobile
A09-Y12TM*	7 element Yagi	12.1 dBi	RPTNC	8.0 dB	Fixed/mobile
A09-Y13TM*	9 element Yagi	13.1 dBi	RPTNC	9.0 dB	Fixed/mobile
A09-Y14TM*	14 element Yagi	14.0 dBi	RPTNC	9.9 dB	Fixed/mobile

Omni-directional base station antennas

All antenna part numbers followed by an asterisk (*) are not available from Digi. Consult with an antenna manufacturer for an equivalent option.

Part number	Type	Gain	Connector	Required antenna cable loss	Application
A09-F0NF*	Fiberglass base station	0 dBi	N	-	Fixed
A09-F1NF*	Fiberglass base station	1.0 dBi	N	-	Fixed
A09-F2NF-M	Fiberglass base station	2.1 dBi	N	-	Fixed
A09-F3NF*	Fiberglass base station	3.1 dBi	N	-	Fixed
A09-F4NF*	Fiberglass base station	4.1 dBi	N	-	Fixed
A09-F5NF-M	Fiberglass base station	5.1 dBi	N	-	Fixed
A09-F6NF*	Fiberglass base station	6.1 dBi	N	0.9 dB	Fixed
A09-F7NF*	Fiberglass base station	7.1 dBi	N	1.9 dB	Fixed
A09-F8NF-M	Fiberglass base station	8.1 dBi	N	2.9 dB	Fixed
A09-F0SM*	Fiberglass base station	0 dBi	RPSMA	-	Fixed
A09-F1SM*	Fiberglass base station	1.0 dBi	RPSMA	-	Fixed
A09-F2SM*	Fiberglass base station	2.1 dBi	RPSMA	-	Fixed
A09-F3SM*	Fiberglass base station	3.1 dBi	RPSMA	-	Fixed
A09-F4SM*	Fiberglass base station	4.1 dBi	RPSMA	-	Fixed
A09-F5SM*	Fiberglass base station	5.1 dBi	RPSMA	-	Fixed
A09-F6SM*	Fiberglass base station	6.1 dBi	RPSMA	0.9 dB	Fixed
A09-F7SM*	Fiberglass base station	7.1 dBi	RPSMA	1.9 dB	Fixed
A09-F8SM*	Fiberglass base station	8.1 dBi	RPSMA	2.9 dB	Fixed
A09-F0TM*	Fiberglass base station	0 dBi	RPTNC	-	Fixed
A09-F1TM*	Fiberglass base station	1.0 dBi	RPTNC	-	Fixed
A09-F2TM*	Fiberglass base station	2.1 dBi	RPTNC	-	Fixed

Part number	Type	Gain	Connector	Required antenna cable loss	Application
A09-F3TM*	Fiberglass base station	3.1 dBi	RPTNC	-	Fixed
A09-F4TM*	Fiberglass base station	4.1 dBi	RPTNC	-	Fixed
A09-F5TM*	Fiberglass base station	5.1 dBi	RPTNC	-	Fixed
A09-F6TM*	Fiberglass base station	6.1 dBi	RPTNC	0.9 dB	Fixed
A09-F7TM*	Fiberglass base station	7.1 dBi	RPTNC	1.9 dB	Fixed
A09-F8TM*	Fiberglass base station	8.1 dBi	RPTNC	2.9 dB	Fixed
A09-W7*	Wire base station	7.1 dBi	RPN	1.9 dB	Fixed
A09-W7SM*	Wire base station	7.1 dBi	RPSMA	1.9 dB	Fixed
A09-W7TM*	Wire base station	7.1 dBi	RPTNC	1.9 dB	Fixed

Dome antennas

All antenna part numbers followed by an asterisk (*) are not available from Digi. Consult with an antenna manufacturer for an equivalent option.

Part number	Type	Gain	Connector	Required antenna cable loss	Application
A09-D3PNF*	Omnidirectional permanent mount	3.0 dBi	N	0.4 dB	Fixed/mobile
A09-D3NF*	Omnidirectional magnetic mount	3.0 dBi	N	0.4 dB	Fixed/mobile
A09-D3PTM*	Omnidirectional permanent mount	3.0 dBi	RPTNC	0.4 dB	Fixed/mobile
A09-D3PSM*	Omnidirectional permanent mount	3.0 dBi	RPSMA	0.4 dB	Fixed/mobile

Monopole antennas

All antenna part numbers followed by an asterisk (*) are not available from Digi. Consult with an antenna manufacturer for an equivalent option.

Part number	Type	Gain	Connector	Required antenna cable loss	Application
A09-QRAMM	3" Quarter wave wire	2.1 dBi	MMCX	-	Fixed/mobile
A09-QRSM-2.1*	Quarter wave 2.1" right angle	3.3 dBi	RPSMA	0.4 dB	Fixed/mobile
A09-QW*	Quarter wave wire	1.9 dBi	Permanent	-	Fixed/mobile
A09-QSM-3*	Quarter wave straight	1.9 dBi	RPSMA	-	Fixed/mobile
A09-QSM-3H*	Heavy duty quarter wave straight	1.9 dBi	RPSMA	-	Fixed/mobile
A09-QBMM-P6I*	Quarter wave w/ 6" pigtail	1.9 dBi	MMCX	-	Fixed/mobile
A09-QHSM-2*	2" straight	1.9 dBi	RPSMA	-	Fixed/mobile
A09-QHRSM-2*	2" right angle	1.9 dBi	RPSMA	-	Fixed/mobile
A09-QHRSM-170*	1.7" right angle	1.9 dBi	RPSMA	-	Fixed/mobile
A09-QRSM-380*	3.8" right angle	1.9 dBi	RPSMA	-	Fixed/mobile
A09-QAPM-520*	5.2" articulated screw mount	1.9 dBi	Permanent	-	Fixed/mobile
A09-QSPM-3*	3" straight screw mount	1.9 dBi	Permanent	-	Fixed/mobile
A09-QAPM-3*	3" articulated screw mount	1.9 dBi	Permanent	-	Fixed/mobile
A09-QAPM-3H*	3" articulated screw mount	1.9 dBi	Permanent	-	Fixed/mobile

XBee XTC antenna options

The following tables cover the antennas that are approved for use with the XBee XTC RF modules. If applicable, the tables show the required cable loss between the device and the antenna.

Digi does not carry all of these antenna variants. Contact Digi Sales for available antennas.

Dipole antennas

All antenna part numbers followed by an asterisk (*) are not available from Digi. Consult with an antenna manufacturer for an equivalent option.

Part number	Type	Connector	Gain	Required antenna cable loss	Application
A09-HSM-7 ¹	Straight half-wave	RPSMA	2.1 dBi	0.4 dB	Fixed/mobile
A09-HASM-675	Articulated half-wave	RPSMA	2.1 dBi	0.4 dB	Fixed/mobile
A09-HABMM-P5I	Swivel half wave with 5" pigtail	MMCX	2.1 dBi	0.4 dB	Fixed/mobile
A09-HBMM-P5I	Straight half-wave with 6" pigtail	MMCX	2.1 dBi	0.4 dB	Fixed/mobile
A09-HASM-7*	Articulated half-wave	RPSMA	2.1 dBi	0.4 dB	Fixed
A09-HRSM*	Right angle half-wave	RPSMA	2.1 dBi	0.4 dB	Fixed
A09-HG*	Glass mounted half-wave	RPSMA	2.1dBi	0.4 dB	Fixed
A09-HATM*	Articulated half-wave	RPTNC	2.1 dBi	0.4 dB	Fixed
A09-H*	Half-wave dipole	RPSMA	2.1 dBi	0.4 dB	Fixed

Yagi antennas

All antenna part numbers followed by an asterisk (*) are not available from Digi. Consult with an antenna manufacturer for an equivalent option.

¹Installers should apply additional torque to screw on the antenna.

Part number	Type	Gain	Connector	Required antenna cable loss	Application
A09-Y6NF*	2 element Yagi	6.1 dBi	N	-	Fixed/mobile
A09-Y7NF*	3 element Yagi	7.1 dBi	N	-	Fixed/mobile
A09-Y8NF	4 element Yagi	8.1 dBi	N	-	Fixed/mobile
A09-Y9NF*	4 element Yagi	9.1 dBi	N	-	Fixed/mobile
A09-Y10NF*	5 element Yagi	10.1 dBi	N	-	Fixed/mobile
A09-Y11NF	6 element Yagi	11.1 dBi	N	-	Fixed/mobile
A09-Y12NF*	7 element Yagi	12.1 dBi	N	-	Fixed/mobile
A09-Y13NF*	9 element Yagi	13.1 dBi	N	-	Fixed/mobile
A09-Y14NF*	10 element Yagi	14.1 dBi	N	-	Fixed/mobile
A09-Y14NF-ALT*	12 element Yagi	14.1 dBi	N	-	Fixed/mobile
A09-Y15NF	13 element Yagi	15.1 dBi	N	0.7 dB	Fixed/mobile
A09-Y15NF-ALT*	15 element Yagi	15.1 dBi	N	0.7 dB	Fixed/mobile
A09-Y6TM*	2 element Yagi	6.1 dBi	RPTNC	-	Fixed/mobile
A09-Y7TM*	3 element Yagi	7.1 dBi	RPTNC	-	Fixed/mobile
A09-Y8TM*	4 element Yagi	8.1 dBi	RPTNC	-	Fixed/mobile
A09-Y9TM*	4 element Yagi	9.1 dBi	RPTNC	-	Fixed/mobile
A09-Y10TM-P10*	5 element Yagi	10.1 dBi	RPTNC	-	Fixed/mobile
A09-Y11TM*	6 element Yagi	11.1 dBi	RPTNC	-	Fixed/mobile
A09-Y12TM*	7 element Yagi	12.1 dBi	RPTNC	-	Fixed/mobile
A09-Y13TM*	9 element Yagi	13.1 dBi	RPTNC	-	Fixed/mobile
A09-Y14TM*	10 element Yagi	14.1 dBi	RPTNC	-	Fixed/mobile

Part number	Type	Gain	Connector	Required antenna cable loss	Application
A09-Y14TM-ALT*	12 element Yagi	14.1 dBi	RPTNC	-	Fixed/mobile
A09-Y15TM*	13 element Yagi	15.1 dBi	RPTNC	0.7 dB	Fixed/mobile
A09-Y15TM-P10I	15 element Yagi	15.1 dBi	RPTNC	0.7 dB	Fixed/mobile

Omni-directional base station antennas

All antenna part numbers followed by an asterisk (*) are not available from Digi. Consult with an antenna manufacturer for an equivalent option.

Part number	Type	Gain	Connector	Required antenna cable loss	Application
A09-F0NF*	Fiberglass Base Station	0 dBi	N	-	Fixed
A09-F1NF*	Fiberglass Base Station	1.0 dBi	N	-	Fixed
A09-F2NF-M*	Fiberglass Base Station	2.1 dBi	N	-	Fixed
A09-F3NF*	Fiberglass Base Station	3.1 dBi	N	-	Fixed
A09-F4NF*	Fiberglass Base Station	4.1 dBi	N	-	Fixed
A09-F5NF-M	Fiberglass Base Station	5.1 dBi	N	-	Fixed
A09-F6NF*	Fiberglass Base Station	6.1 dBi	N	-	Fixed
A09-F7NF*	Fiberglass Base Station	7.1 dBi	N	-	Fixed
A09-F8NF-M	Fiberglass Base Station	8.1 dBi	N	0.7 dB	Fixed
A09-F0SM*	Fiberglass Base Station	0 dBi	RPSMA	-	Fixed
A09-F1SM*	Fiberglass Base Station	1.0 dBi	RPSMA	-	Fixed
A09-F2SM*	Fiberglass Base Station	2.1 dBi	RPSMA	-	Fixed
A09-F3SM*	Fiberglass Base Station	3.1 dBi	RPSMA	-	Fixed
A09-F4SM*	Fiberglass Base Station	4.1 dBi	RPSMA	-	Fixed

Part number	Type	Gain	Connector	Required antenna cable loss	Application
A09-F5SM*	Fiberglass Base Station	5.1 dBi	RPSMA	-	Fixed
A09-F6SM*	Fiberglass Base Station	6.1 dBi	RPSMA	-	Fixed
A09-F7SM*	Fiberglass Base Station	7.1 dBi	RPSMA	-	Fixed
A09-F8SM*	Fiberglass Base Station	8.1 dBi	RPSMA	0.7 dB	Fixed
A09-F0TM*	Fiberglass Base Station	0 dBi	RPTNC	-	Fixed
A09-F1TM*	Fiberglass Base Station	1.0 dBi	RPTNC	-	Fixed
A09-F2TM*	Fiberglass Base Station	2.1 dBi	RPTNC	-	Fixed
A09-F3TM*	Fiberglass Base Station	3.1 dBi	RPTNC	-	Fixed
A09-F4TM*	Fiberglass Base Station	4.1 dBi	RPTNC	-	Fixed
A09-F5TM*	Fiberglass Base Station	5.1 dBi	RPTNC	-	Fixed
A09-F6TM*	Fiberglass Base Station	6.1 dBi	RPTNC	-	Fixed
A09-F7TM*	Fiberglass Base Station	7.1 dBi	RPTNC	-	Fixed
A09-F8TM*	Fiberglass Base Station	8.1 dBi	RPTNC	0.7 dB	Fixed
A09-W7*	Wire Base Station	7.1 dBi	RPN	-	Fixed
A09-W7SM*	Wire Base Station	7.1 dBi	RPSMA	-	Fixed
A09-W7TM*	Wire Base Station	7.1 dBi	RPTNC	-	Fixed

Dome antennas

All antenna part numbers followed by an asterisk (*) are not available from Digi. Consult with an antenna manufacturer for an equivalent option.

Part number	Type	Gain	Connector	Required antenna cable loss	Application
A09-D3PNF*	Omnidirectional permanent mount	3.0 dBi	N	0.4 dB	Fixed/mobile

Part number	Type	Gain	Connector	Required antenna cable loss	Application
A09-D3NF*	Omnidirectional magnetic mount	3.0 dBi	N	0.4 dB	Fixed/mobile
A09-D3PTM*	Omnidirectional permanent mount	3.0 dBi	RPTNC	0.4 dB	Fixed/mobile
A09-D3PSM*	Omnidirectional permanent mount	3.0 dBi	RPSMA	0.4 dB	Fixed/mobile

Monopole antennas

All antenna part numbers followed by an asterisk (*) are not available from Digi. Consult with an antenna manufacturer for an equivalent option.

Part number	Type	Gain	Connector	Required antenna cable loss	Application
A09-QRAMM	3" Quarter wave wire	2.1 dBi	MMCX	-	Fixed/mobile
A09-QRSM-2.1*	Quarter wave 2.1" right angle	3.3 dBi	RPSMA	0.4 dB	Fixed/mobile
A09-QW*	Quarter wave wire	1.9 dBi	Permanent	-	Fixed/mobile
A09-QSM-3*	Quarter wave straight	1.9 dBi	RPSMA	-	Fixed/mobile
A09-QSM-3H*	Heavy duty quarter wave straight	1.9 dBi	RPSMA	-	Fixed/mobile
A09-QBMM-P6I*	Quarter wave w/ 6" pigtail	1.9 dBi	MMCX	-	Fixed/mobile
A09-QHSM-2*	2" straight	1.9 dBi	RPSMA	-	Fixed/mobile
A09-QHRSM-2*	2" right angle	1.9 dBi	RPSMA	-	Fixed/mobile
A09-QHRSM-170*	1.7" right angle	1.9 dBi	RPSMA	-	Fixed/mobile
A09-QRSM-380*	3.8" right angle	1.9 dBi	RPSMA	-	Fixed/mobile
A09-QAPM-520*	5.2" articulated screw mount	1.9 dBi	Permanent	-	Fixed/mobile
A09-QSPM-3*	3" straight screw mount	1.9 dBi	Permanent	-	Fixed/mobile
A09-QAPM-3*	3" articulated screw mount	1.9 dBi	Permanent	-	Fixed/mobile
A09-QAPM-3H*	3" articulated screw mount	1.9 dBi	Permanent	-	Fixed/mobile

FCC publication 996369 related information

In publication 996369 section D03, the FCC requires information concerning a module to be presented by OEM manufacturers. This section assists in answering or fulfilling these requirements.

2.1 General

No requirements are associated with this section.

2.2 List of applicable FCC rules

This module conforms to FCC Part 15.247.

2.3 Summarize the specific operational use conditions

Certain approved antennas require attenuation for operation. For the XBee XTC, see [XBee XTC antenna options](#). For the XBee-PRO XTC, see [XBee-PRO XTC antenna options](#).

Host product user guides should include the antenna table if end customers are permitted to select antennas.

2.4 Limited module procedures

Not applicable.

2.5 Trace antenna designs

While it is possible to build a trace antenna into the host PCB, this requires at least a Class II permissive change to the FCC grant which includes significant extra testing and cost. If an embedded trace or chip antenna is desired contact a Digi sales representative for information on how to engage with a lab to get the modified FCC grant.

2.6 RF exposure considerations

For RF exposure considerations see [RF exposure statement](#), [XBee XTC antenna options](#) and [XBee-PRO XTC antenna options](#).

Host product manufacturers need to provide end-users a copy of the “RF Exposure” section of the manual: [RF exposure statement](#).

2.7 Antennas

A list of approved antennas is provided for the XTC product. For the XBee XTC, see [XBee XTC antenna options](#). For the XBee-PRO XTC, see [XBee-PRO XTC antenna options](#).

2.8 Label and compliance information

Host product manufacturers need to follow the sticker guidelines outlined in [OEM labeling requirements](#).

2.9 Information on test modes and additional testing requirements

Contact a Digi sales representative for information on how to configure test modes for the XBee XTC and XBee-PRO XTC modules.

2.10 Additional testing, Part 15 Subpart B disclaimer

All final host products must be tested to be compliant to FCC Part 15 Subpart B standards. While the XBee XTC and XBee-PRO XTC modules were tested to be compliant to FCC unintentional radiator standards, FCC Part 15 Subpart B compliance testing is still required for the final host product. This testing is required for all end products, and XBee XTC/XBee-PRO XTC Part 15 Subpart B compliance does not affirm the end product's compliance.

See [FCC notices](#) for more details.

ISED (Innovation, Science and Economic Development Canada)

This device complies with Industry Canada license-exempt RSS standard(s). Operation is subject to the following two conditions: (1) this device may not cause interference, and (2) this device must accept any interference, including interference that may cause undesired operation of the device.

Le présent appareil est conforme aux CNR d'Industrie Canada applicables aux appareils radio exempts de licence. L'exploitation est autorisée aux deux conditions suivantes : (1) l'appareil ne doit pas produire de brouillage, et (2) l'utilisateur de l'appareil doit accepter tout brouillage radioélectrique subi, même si le brouillage est susceptible d'en compromettre le fonctionnement.

Labeling requirements

XBee XTC

Labeling requirements for Industry Canada are similar to those of the FCC. A clearly visible label on the outside of the final product must display the following text:

Contains Model XBSX Radio, IC: 1846A-XBSX

The integrator is responsible for its product to comply with IC ICES-003 and FCC Part 15, Sub. B - Unintentional Radiators. ICES-003 is the same as FCC Part 15 Sub. B and Industry Canada accepts FCC test report or CISPR 22 test report for compliance with ICES-003.

XBee-PRO XTC

Labeling requirements for Industry Canada are similar to those of the FCC. A clearly visible label on the outside of the final product must display the following text:

Contains Model XBPSX Radio, IC: 1846A-XBPSX

The integrator is responsible for its product to comply with IC ICES-003 and FCC Part 15, Sub. B - Unintentional Radiators. ICES-003 is the same as FCC Part 15 Sub. B and Industry Canada accepts FCC test report or CISPR 22 test report for compliance with ICES-003.

Transmitters for detachable antennas

This radio transmitter has been approved by Industry Canada to operate with the antenna types listed in the tables in [FCC antenna certifications](#) with the maximum permissible gain and required antenna impedance for each antenna type indicated. Antenna types not included in this list, having a gain greater than the maximum gain indicated for that type, are strictly prohibited for use with this device. The required antenna impedance is 50 ohms.

Le présent émetteur radio a été approuvé par Industrie Canada pour fonctionner avec les types d'antenne énumérés ci-dessous et ayant un gain admissible maximal et l'impédance requise pour chaque type d'antenne. Les types d'antenne non inclus dans cette liste, ou dont le gain est supérieur au gain maximal indiqué, sont strictement interdits pour l'exploitation de l'émetteur.

Detachable antennas

Under Industry Canada regulations, this radio transmitter may only operate using an antenna of a type and maximum (or lesser) gain approved for the transmitter by Industry Canada. To reduce potential radio interference to other users, the antenna type and its gain should be so chosen that the equivalent isotropically radiated power (EIRP) is not more than that necessary for successful communication.

Conformément à la réglementation d'Industrie Canada, le présent émetteur radio peut fonctionner avec une antenne d'un type et d'un gain maximal (ou inférieur) approuvé pour l'émetteur par Industrie Canada. Dans le but de réduire les risques de brouillage radioélectrique à l'intention des autres utilisateurs, il faut

choisir le type d'antenne et son gain de sorte que la puissance isotrope rayonnée équivalente (p.i.r.e.) ne dépasse pas l'intensité nécessaire à l'établissement d'une communication satisfaisante.

ACMA (Australia)

Power requirements

Regulations in Australia stipulate a maximum of 30 dBm EIRP (Effective Isotropic Radiated Power). The EIRP equals the sum (in dBm) of power output, antenna gain and cable loss and cannot not exceed 30 dBm.

The EIRP formula for Australia is:

$$\text{power output} + \text{antenna gain} - \text{cable loss} \leq 30 \text{ dBm}$$

Note The maximum EIRP for the FCC (United States) and IC (Canada) is 36 dBm.

These modules comply with requirements to be used in end products in Australia. All products with EMC and radio communications must have a registered RCM mark. Registration to use the compliance mark will only be accepted from Australian manufacturers or importers, or their agent, in Australia. In order to have a RCM mark on an end product, a company must comply with a or b below:

- a. have a company presence in Australia.
- b. have a company/distributor/agent in Australia that will sponsor the import of the end product.

Contact Digi for questions related to locating a contact in Australia.

IFETEL (Mexico)

Mexico IFETEL

Manufacturer: Digi International

Country: USA

Brand: Digi

Tariff Code (HS): 8517-62-14

Model: XBPSX

IFETEL (IFT) number RCPDIXB19-2288 applies to these XBee-PRO XTC radios:

- XBP9XT-DPRS-001, XBP9XT-DPUS-001

Model: XBSX

IFETEL (IFT) number RCPDIXB19-1819 applies to these XBee XTC radios:

- XB9XT-DPRS-001, XB9XT-DPUS-001

OEM labeling requirements



WARNING! The Original Equipment Manufacturer (OEM) must ensure that Mexico IFT labeling requirements are met. This includes a clearly visible label on the outside of the final product enclosure that displays the text shown below.

The IFETEL number for the XBee-PRO XTC product must be listed either on the end product, on the packaging, in the manual, or in the software with the following phrase:

“Este equipo contiene el módulo XBP9X con Número IFETEL: RCPDIXB19-2288”

OR

“Este equipo contiene el módulo XBP9X con IFT #: RCPDIXB19-2288”

The IFETEL number for the XBee XTC product must be listed either on the end product, on the packaging, in the manual, or in the software with the following phrase:

“Este equipo contiene el módulo XBPMoel: XB9X con Número IFETEL: RCPDIXB19-1819”

OR

“Este equipo contiene el módulo XB9X con IFT #: RCPDIXB19-1819”

The following paragraph must also be present in the User Manual for the end product:

“La operación de este equipo está sujeta a las siguientes dos condiciones: (1) es posible que este equipo o dispositivo no cause interferencia perjudicial y (2) este equipo o dispositivo debe aceptar cualquier interferencia, incluyendo la que pueda causar su operación no deseada.”

PCB design and manufacturing

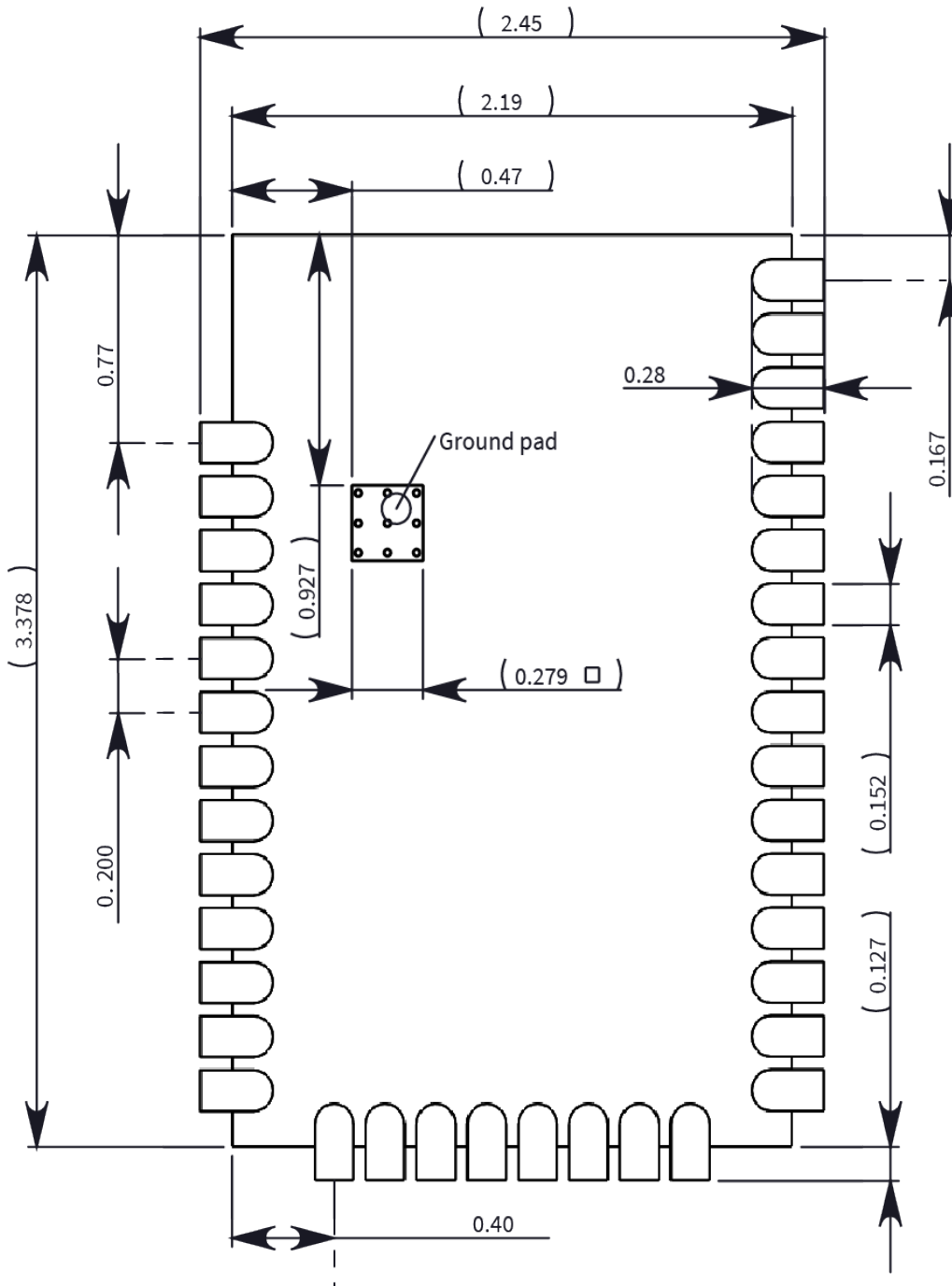
The XTC RF Module is designed for surface-mount on the OEM PCB. It has castellated pads to allow for easy solder attach inspection. The pads are all located on the edge of the module, so there are no hidden solder joints on these modules.

Recommended footprint and keepout	125
Design notes	127
Recommended solder reflow cycle	129
Flux and cleaning	130
Rework	130

Recommended footprint and keepout

We designed the XTC RF Module for surface-mounting on the OEM printed circuit board (PCB). It has castellated pads around the edges and one ground pad on the bottom. [Mechanical drawings](#) includes a detailed mechanical drawing.

We recommend that you use the following PCB footprint for surface-mounting. Dimensions are in centimeters.



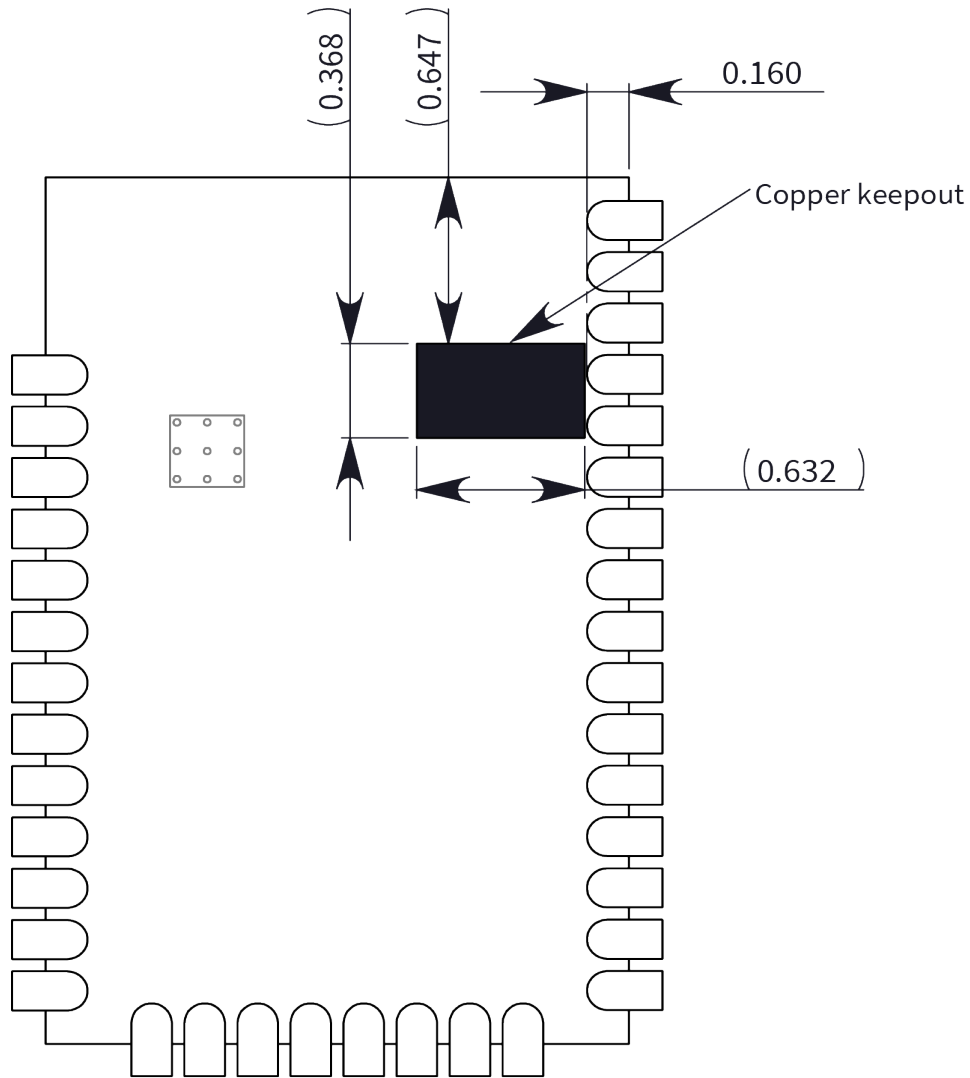
The recommended footprint includes an additional ground pad that you must solder to the corresponding pad on the device. This ground pad transfers heat generated during transmit mode away from the device's power amplifier. The pad must connect through vias to a ground plane on the host PCB. Connecting to planes on multiple layers will further improve the heat transfer performance and we recommend doing this for applications that will be in transmit mode for sustained periods. We recommend using nine 0.030 cm diameter vias in the pad as shown. Plug vias with epoxy or solder mask them on the opposite side to prevent solder paste from leaking through the holes during reflow. Do not mask over the ground pad.

Note The ground pad is unique to the XBee/XBee-PRO XTC and SX modules. This footprint is not compatible with other SMT XBees.

Although the underside of the device is mostly coated with solder mask, we recommend that you leave the copper layer directly below the device open to avoid unintended contacts. Most importantly, copper or vias must not interfere with the three exposed RF test points on the bottom of the device shown in the following keepout drawing. Observe the copper keepout on all layers of the host PCB, to avoid the possibility of capacitive coupling that could impact RF performance.

Match the solder footprint to the copper pads, but you may need to adjust it depending on the specific needs of assembly and product standards. We recommend a stencil thickness of 0.15 mm (0.005 in). Place the component last and set the placement speed to the slowest setting.

The following drawing show the SMT footprint, with the required copper keepout (all layers). Dimensions are in centimeters.



Design notes

The following guidelines help to ensure a robust design.

Host board design

A good power supply design is critical for proper device operation. If the supply voltage is not kept within tolerance, or is excessively noisy, it may degrade device performance and reliability. To help reduce noise, we recommend placing both a 1 μ F and 100 pF capacitor as near to VCC (pin 2) as possible. If you use a switching regulator, we recommend switching frequencies above 500 kHz and you should limit power supply ripple to a maximum 50 mV peak to peak.

As with all PCB designs, make power and ground traces thicker than signal traces and make them able to comfortably support the maximum current specifications. Ground planes are preferable.

Improve antenna performance

The choice of antenna and antenna location is important for optimal performance. In general, antenna elements radiate perpendicular to the direction they point. Thus a vertical antenna, such as a dipole, emit across the horizon.

Metal objects near the antenna cause parasitic coupling and detuning, preventing the antenna from radiating efficiently. Metal objects between the transmitter and receiver can also block the radiation path or reduce the transmission distance, so position external antennas away from them as much as possible. Some objects that are often overlooked are:

- Metal poles
- Metal studs or beams in structures
- Concrete (reinforced with metal rods)
- Metal enclosures
- Vehicles
- Elevators
- Ventilation ducts
- Large appliances
- Batteries
- Tall electrolytic capacitors

RF pad version

The RF pad is a soldered antenna connection. The RF signal travels from pin 36 on the module to the antenna through a single ended RF transmission line on the PCB. This line should have a controlled impedance of 50 Ω .

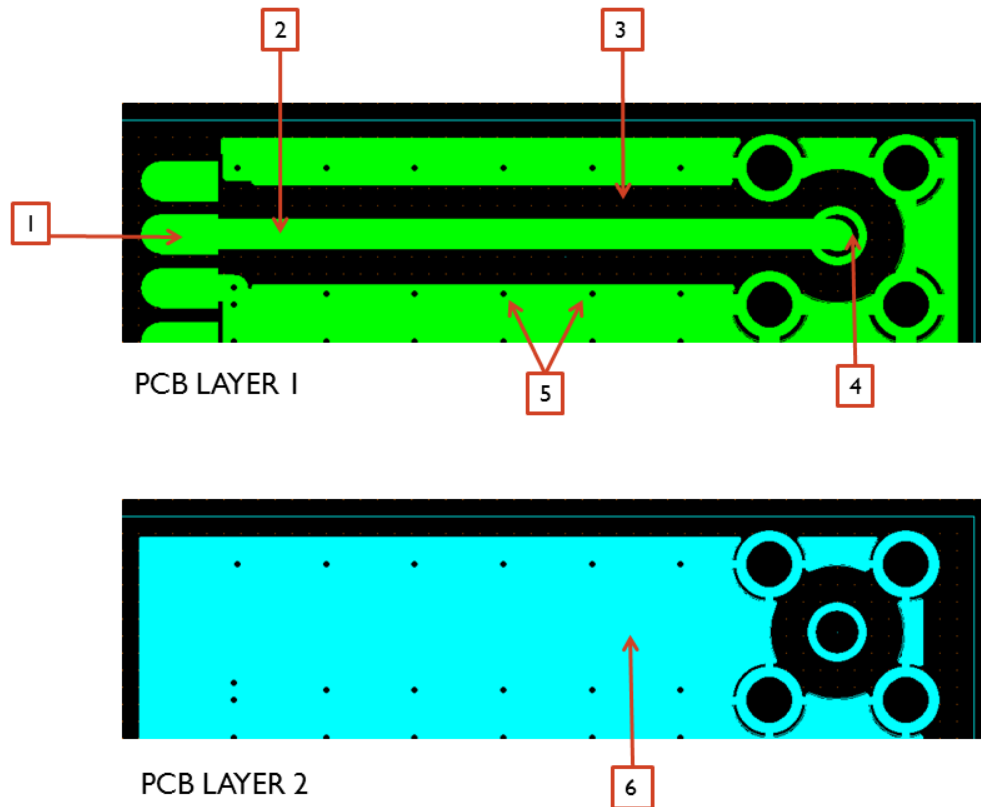
For the transmission line, we recommend either a microstrip or coplanar waveguide trace on the PCB. We provide a microstrip example below, because it is simpler to design and generally requires less area on the host PCB than coplanar waveguide.

We do not recommend using a stripline RF trace because that requires routing the RF trace to an inner PCB layer, and via transitions can introduce matching and performance problems.

The following figure shows a layout example of a microstrip connecting an RF pad module to a through-hole RPSMA RF connector.

- The top two layers of the PCB have a controlled thickness dielectric material in between. The second layer has a ground plane which runs underneath the entire RF pad area. This ground plane is a distance d , the thickness of the dielectric, below the top layer.
- The top layer has an RF trace running from pin 36 of the device to the RF pin of the RPSMA connector. The RF trace's width determines the impedance of the transmission line with relation to the ground plane. Many online tools can estimate this value, although you should consult the PCB manufacturer for the exact width. Assuming $d = 0.025$ in, and that the dielectric has a relative permittivity of 4.4, the width in this example will be approximately 0.045 in for a 50 Ω trace. This trace width is a good fit with the module footprint's 0.060 in pad width.

We do not recommend using a trace wider than the pad width, and using a very narrow trace can cause unwanted RF loss. You can minimize the length of the trace by placing the RPSMA jack close to the module. All of the grounds on the jack and the module are connected to the ground planes directly or through closely placed vias. Space any ground fill on the top layer at least twice the distance d (in this case, at least 0.050 in) from the microstrip to minimize their interaction.



Number	Description
1	XBee pin 36
2	50 Ω microstrip trace
3	Back off ground fill at least twice the distance between layers 1 and 2
4	RF connector
5	Stitch vias near the edges of the ground plane
6	Pour a solid ground plane under the RF trace on the reference layer

Implementing these design suggestions helps ensure that the RF pad device performs to specifications.

Recommended solder reflow cycle

The following table provides the recommended solder reflow cycle. The table shows the temperature setting and the time to reach the temperature; it does not show the cooling cycle.

Time (seconds)	Temperature (degrees C)
30	65
60	100
90	135
120	160
150	195
180	240
210	260

The maximum temperature should not exceed 260 °C.

The XTC device will reflow during this cycle, and therefore must not be reflowed upside down. Take care not to jar the XTC while the solder is molten, as this can remove components under the shield from their required locations.

The device has a Moisture Sensitivity Level (MSL) of 3. When using this product, consider the relative requirements in accordance with standard IPC/JEDEC J-STD-020.

In addition, note the following conditions:

- a. Calculated shelf life in sealed bag: 12 months at < 40 °C and < 90% relative humidity (RH).
- b. Environmental condition during the production: 30 °C /60% RH according to IPC/JEDEC J-STD-033C, paragraphs 5 through 7.
- c. The time between the opening of the sealed bag and the start of the reflow process cannot exceed 168 hours if condition b) is met.
- d. Baking is required if conditions b) or c) are not met.
- e. Baking is required if the humidity indicator inside the bag indicates a RH of 10% more.
- f. If baking is required, bake modules in trays stacked no more than 10 high for 4-6 hours at 125 °C.

Flux and cleaning

We recommend that you use a “no clean” solder paste in assembling these devices. This eliminates the clean step and ensures that you do not leave unwanted residual flux under the device where it is difficult to remove. In addition:

- Cleaning with liquids can result in liquid remaining under the device or in the gap between the device and the host PCB. This can lead to unintended connections between pads.
- The residual moisture and flux residue under the device are not easily seen during an inspection process.

Rework

Once you mount the device, do not perform rework on the XTC device (for example, removing it from the host PCB).



CAUTION! Any modification to the device voids the warranty coverage and certifications.
