



PumpCatalog

2019



Applications

■ Medical

- Reagent Kits
- Device Assembly
- Hazardous Materials

■ Pharma

- Gel Caps
- Hydrogels
- CBD Oil
- Pre-Filled Doses

■ Food & Beverage

- Form-Fill-Seal
- Additives
- Coloring
- Coatings

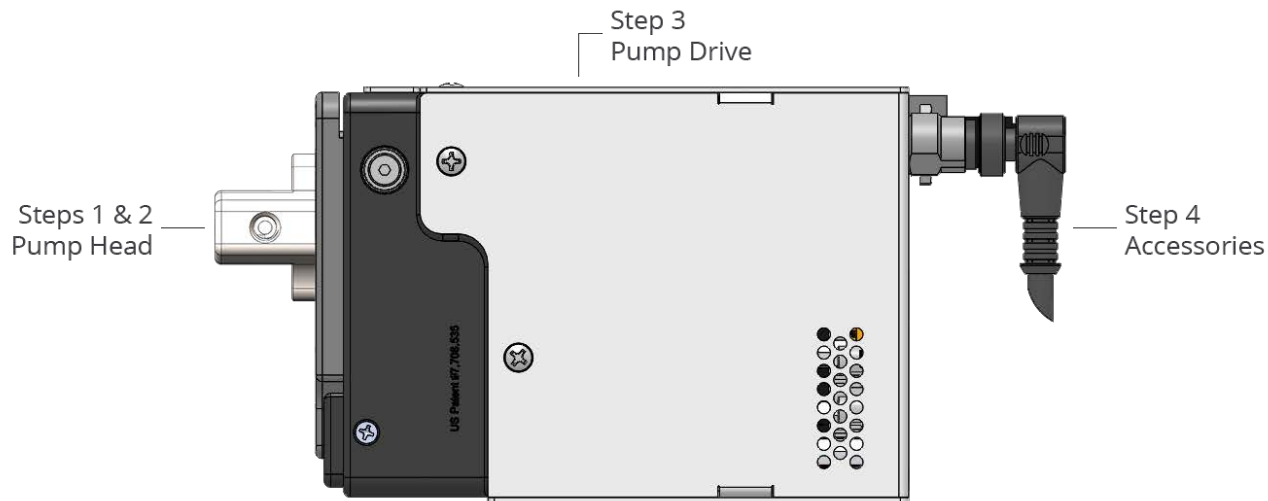
■ Automotive

- Coating
- Lubrication
- Conditioning
- Audio Systems

■ Other

- Cosmetics
- Water Conditioning
- Robotic Lubrication
- Toy Manufacturing

Selecting a Pump



- **Volume**
 - Pump Head Size
- **Material**
 - SAN or CKC
- **Drive**
 - Desired Production Speed
- **Accessories**
 - How to best fit a pump into your automation process.

[§]USB and EtherNet/IP can not exist on the same device.

Series

	<i>Material Options</i>	<i>RPM</i>	<i>PSIG</i>	<i>Head</i>	<i>Piston Size</i>	<i>Max mL/rev</i>	<i>Max mL/min</i>
M	SAN/CKC	1000	100	M0	3/16"	0.05	50
				M1	1/4"	0.10	100
V	SAN/CKC	1000	100	V1	1/4"	0.32	320
				V2	3/8"	0.72	720
				V3	1/2"	1.28	1280
VS	SAN/CKC	1500	200	V1	1/4"	0.32	450
				V2	3/8"	0.72	1080
				V3	1/2"	1.28	1920
VS6	SAN	1500	25	VS6	1"	6.00	9000

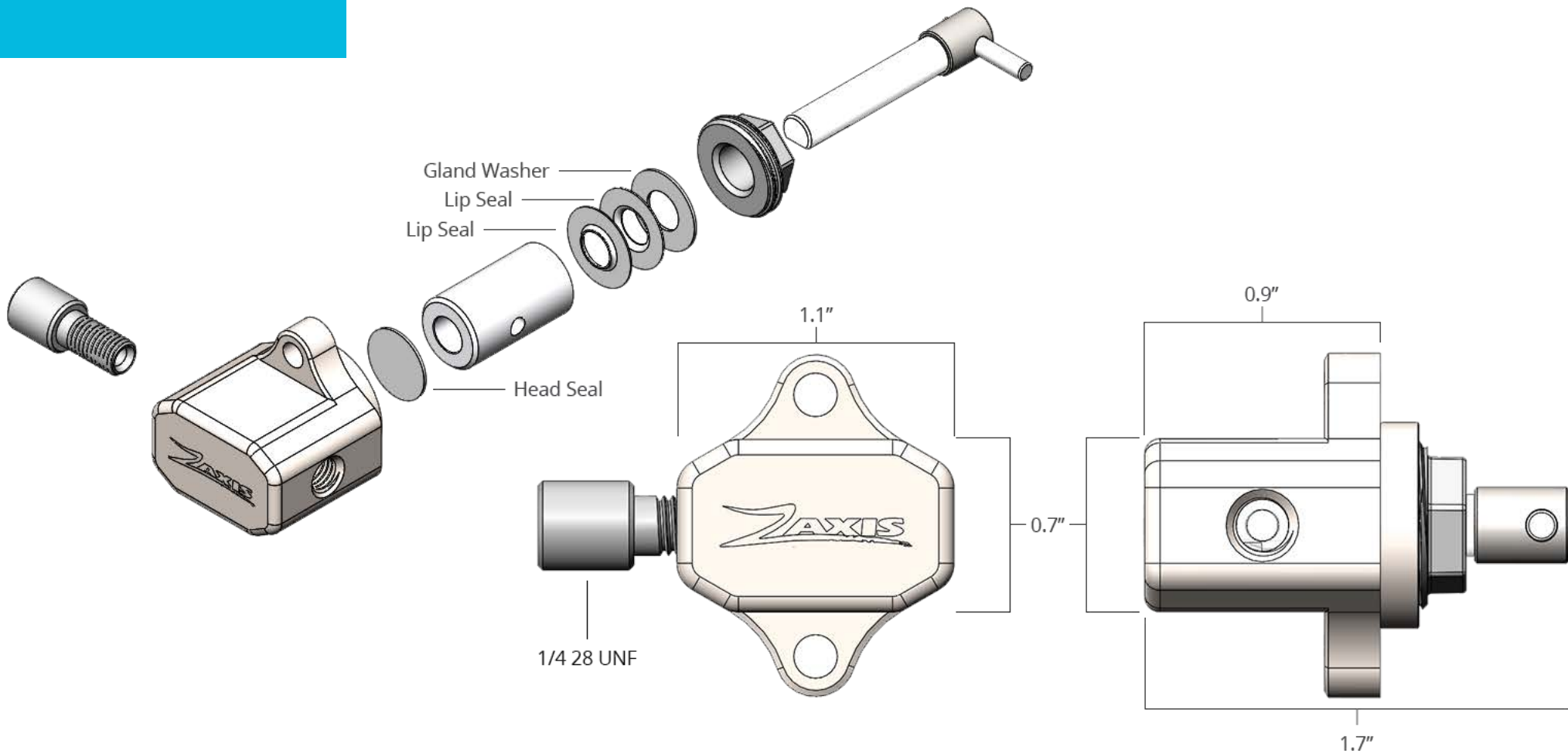
New For
2019

M-Series

Designed for neat chemistry, with flow rates under 100mL/min and pressure less than 100 PSIG.

- Ultra-low Volume
 - As low as 0.5 μ l
- Ceramic Internals
- Valve-less Design
- Electronic Variability
- Positive Displacement





■ Selection

Select piston size closest to your max volume

■ 3/16" BORE

Max output of 50mL/min

■ 1/4" BORE

Max output of 100mL/min

■ Materials

SAN: 316SS
 CKC: Ceramic,
 Kynar®, Ceramic



Dimensions

2.8" wide, 4" high,
5.7" deep



Max Pressure

100 PSIG



Rotations Per Minute

1000



Connectivity

RS485, PLC I/O,
EtherNet/IP

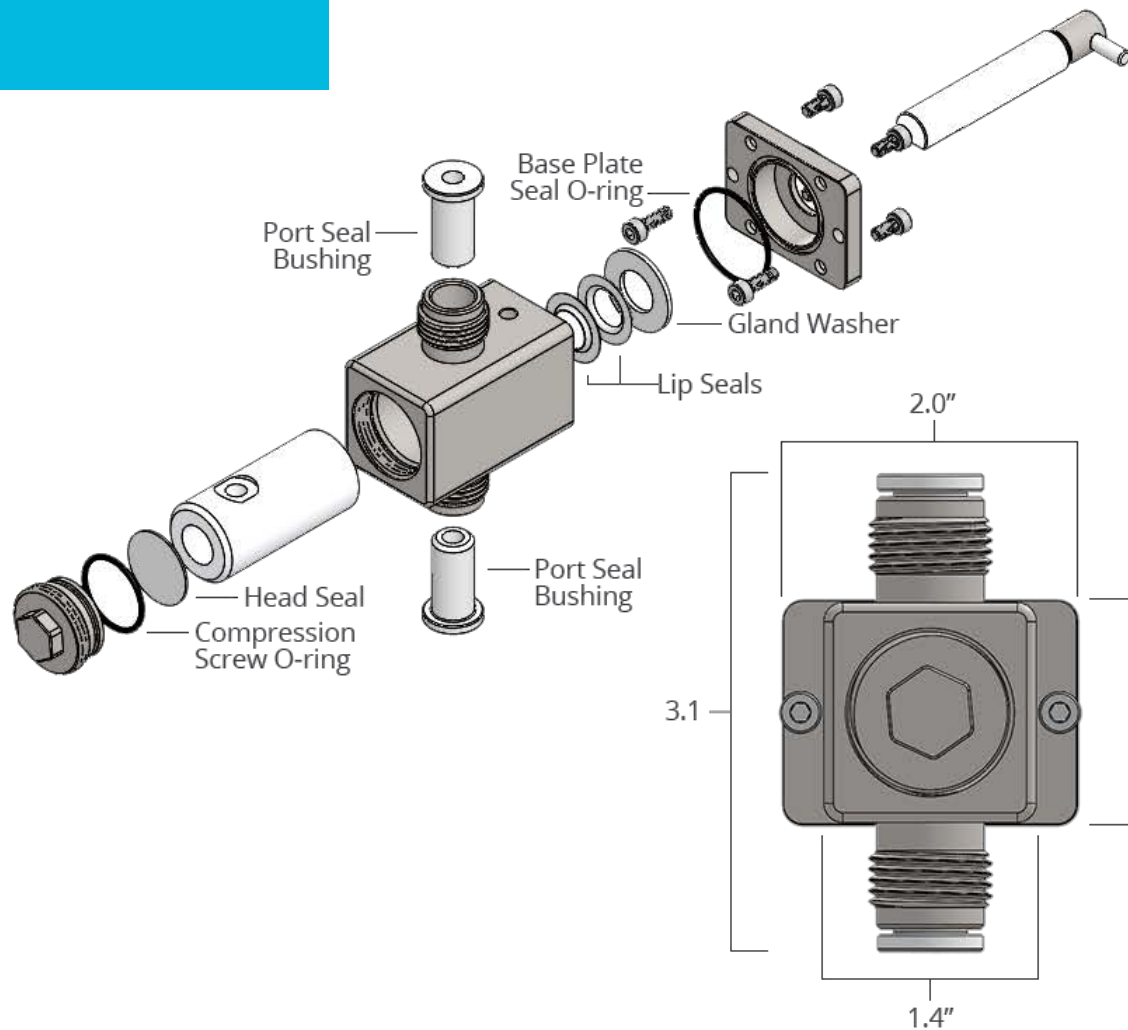
V-Series

Contains a stepper-driven motor that creates a reliable choice for a variety of applications.

- Versatile
- Ceramic Internals
- Valve-less Design
- Electronic Variability
- Positive Displacement



*Most
Versatile
Metering Pump*



■ Isolated Gland
Optional washport to isolate the pump chamber

■ 1/4" BORE
Max output of 320mL/min

■ 3/8" BORE
Max output of 720mL/min

■ 1/2" BORE
Max output of 1280mL/min

■ Materials
SAN: 316SS
CKC: Ceramic, Kynar®, Ceramic



Dimensions

2.8" wide, 4" high,
5.7" deep



Max Pressure

100 PSIG



Rotations Per Minute

1000



Connectivity

RS485, PLC I/O,
EtherNet/IP

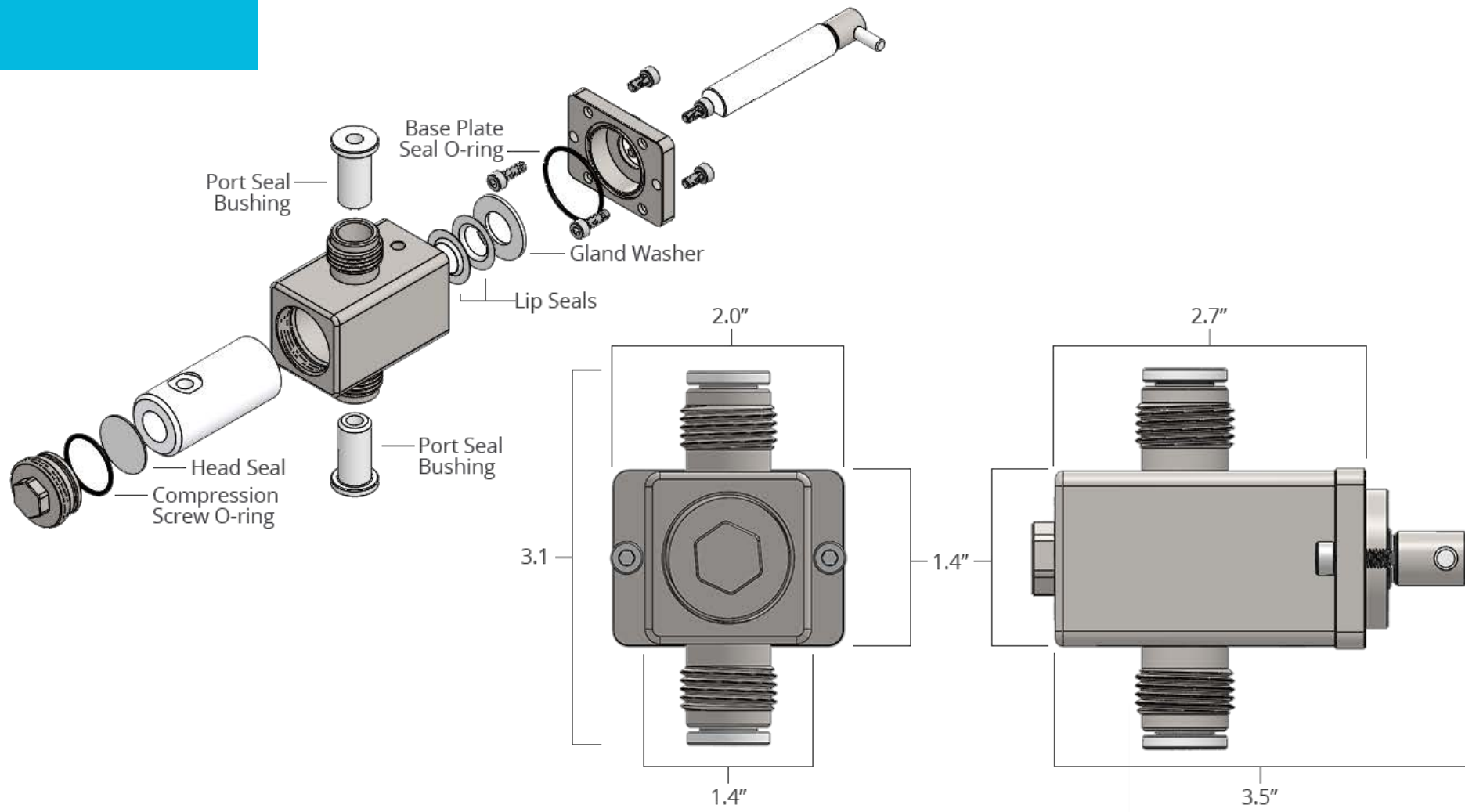
VS-Series

More power to overcome backpressure or move highly viscous fluids.

- 2-Times the Operating Pressure
- Ceramic Internals
- Valve-less Design
- Electronic Variability
- Positive Displacement



4-Times
the Torque



■ **Isolated Gland**
Optional washport to isolate the pump chamber

■ **1/4" BORE**
Max output of 450mL/min

■ **3/8" BORE**
Max output of 1080mL/min

■ **1/2" BORE**
Max output of 1920mL/min

■ **Materials**
SAN: 316SS
CKC: Ceramic, Kynar®, Ceramic



Dimensions

3" wide, 4.2" high,
7.4" deep



Max Pressure

200 PSIG



Rotations Per Minute

1500



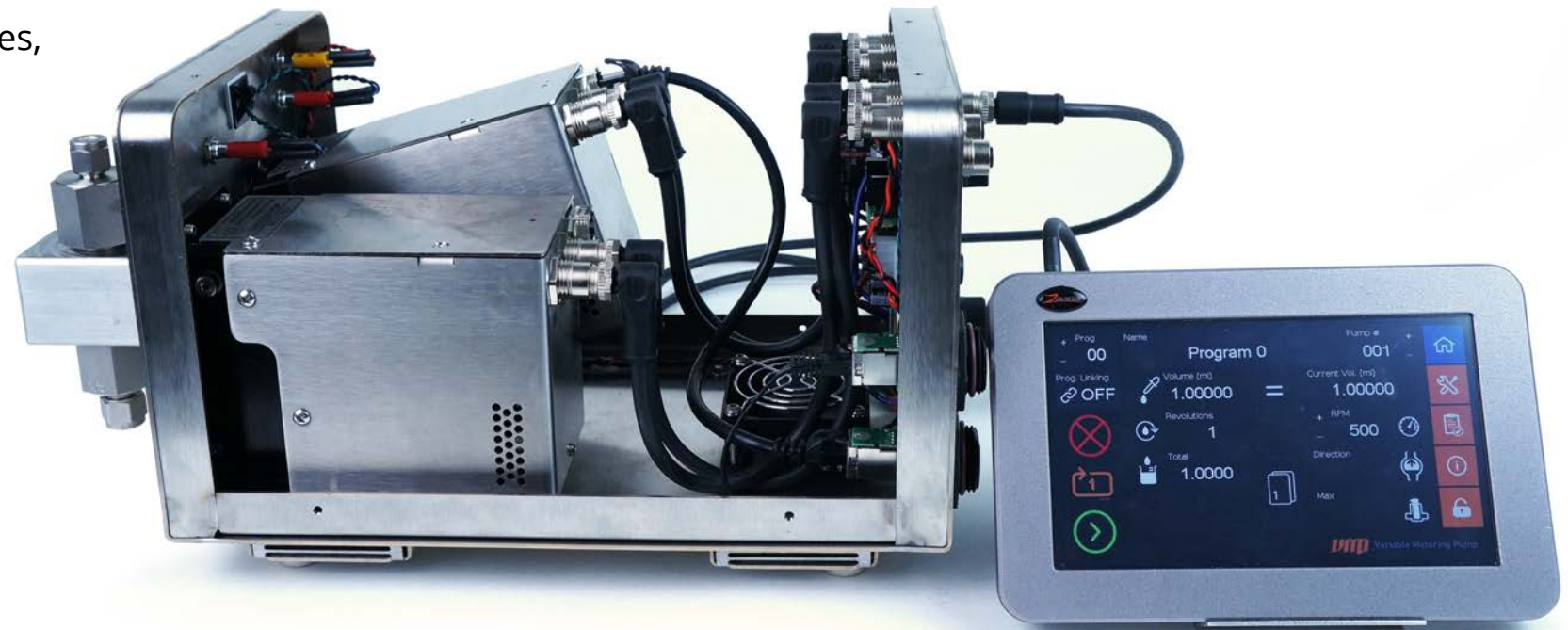
Connectivity

RS485, PLC I/O,
EtherNet/IP

2-Up Series

Two different metered fluids in one machine. It can double your throughput.

- Can House 2 Micro-Series, 2 V-Series, or 2 VS-Series Pumps
- Dimensions: 7.5" wide, 7" high, 12" deep
- Connectivity: RS485, PLC I/O, EtherNet/IP



Double
the Throughput

*New For
2019*

VS6-Series

Extra-large flow capacity, using one of the most powerful servo motors in the industry.

- Largest Throughput
- Ceramic Internals
- Valve-less Design
- Electronic Variability
- Positive Displacement





Dimensions

3.6" wide, 4.9" high,
9.3" deep



Max Pressure

25 PSIG



Rotations Per Minute

1500



Connectivity

RS485, PLC I/O,
EtherNet/IP

Accessories



❖ TSi

Detachable 7" HD
Touchscreen interface



❖ Power

Power Supply kits and
cables including 12 Pin,
8 Pin, and 4 Pin connectors.



❖ Fittings

Stainless steel compression
fittings in multiple sizes



Consumables

- Lip Seal
- Lip Seal Insertion Tool
- Gland Washer
- Head Seal
- Port Seal Bushing



Custom Fabrication

■ Materials

It is not unusual for Zaxis to work with very specific wetted path requirements, where SAN and CKC components have been substituted with PEEK and even molded solutions for high quantity.

■ Fixtures

Your eVmP pump may require that little extra something to complete a benchtop trial or design of experiments, for example Zaxis can design custom nozzles, reservoirs, tubing sets and mounting stands to help complete your project.