

REED

Model R6020

Temperature & Humidity
USB Data Logger



Instruction Manual

www.reedinstruments.com

REED Instruments

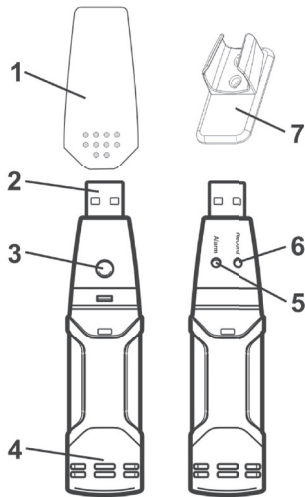
1-877-849-2127 | info@reedinstruments.com | www.reedinstruments.com

Features

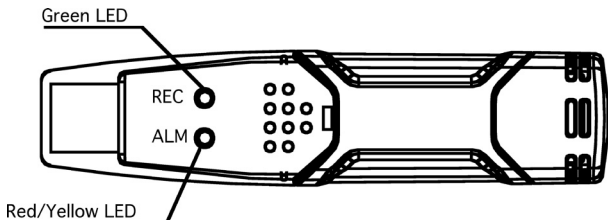
- Memory for 32,000 readings (16,000 temperature and 16,000 humidity readings)
- Dew point indication
- Multi-mode to start logging
- Selectable measuring cycle: 2s, 5s, 10s, 30s, 1m, 5m, 10m, 30m, 1hr, 2hr, 3hr, 6hr, 12hr, 24hr
- User-selectable alarm thresholds for both temperature and humidity
- Status indication via red/yellow/green LEDs
- USB interface for set-up and data download
- Analysis software
- Long battery life

Instrument Description

1. Protective cover
2. USB connector
3. Start button
4. RH & temperature sensors
5. Alarm LED (red/yellow)
6. Record LED (green)
7. Mounting clip



LED Status Guide



LEDs	INDICATION	ACTION
<p>REC ALM</p> <p>○ ○</p>	Both LED lights OFF: Logging not active OR Low Battery	Start logging, replace battery and download the data
<p>REC ALM</p> <p>● ○</p>	Single green flash every 10s*: Logging, no alarm condition** Double green flash every 10s*: Delayed start	To start, hold the start button until Green and Yellow LEDs flash
<p>REC ALM</p> <p>○ ●</p>	Single red flash every 10s*: Logging, low alarm for RH*** Double red flash every 10s*: Logging, high alarm for RH*** Single red flash every 60s: Low battery****	Logging will stop automatically. No data will be lost. Replace battery and download data.
<p>REC ALM</p> <p>○ ●</p>	Single yellow flash every 10s*: Logging, low alarm for TEMP*** Double yellow flash every 10s*: Logging, high alarm for TEMP*** Single yellow flash every 60s: Logger memory full	Download data

- To save power, the logger's LED flashing-cycle can be changed to 20s or 30s via software.
- To save power, alarm LEDs for temperature and humidity can be disabled via software.
- When both temperature and relative humidity readings exceed alarm level synchronously, LED status indication alternate every cycle. For example: If there is only one alarm, the REC LED blinks for one cycle and alarm LED will blink for next cycle. If there are two alarms, REC LED will not blink. First alarm will blink for first cycle and the next alarm will blink for next cycle.
- When the battery is low, all recording operations will be disabled automatically. NOTE: Logging automatically stops when the battery weakens (logged data will be retained). Software is required to restart recording and to download logged data.
- To use the delay function. Run the datalogger graph software, click on the computer icon "DataLogger Setup" or select from the File drop down menu. The Setup window will appear, and you will see two options: Manual and Instant. If you select the Manual option, after you click the Setup button, the logger won't start logging immediately until you press the Yellow start button.
- When the logger is not in recording mode, and memory is not full, press and hold the start button for 3 seconds to begin recording. When the logger is in recording mode, and memory is full, press and hold the start button for 6 seconds to stop recording and delete the memory (a flashing Red LED will confirm memory has been erased).

Specifications

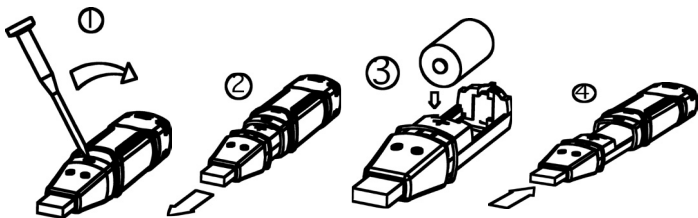
Logging Rate:	Selectable sampling interval from 2 seconds up to 24 hours
Operating Temp:	-35 to 80°C or -31 to 176°F
Battery Type:	3.6V lithium (1/2AA) (SAFT LS14250, Tadiran TL-5101 or equivalent)
Battery Life:	1 year (typically) depending on logging rate, ambient temperature and use of alarm LEDs
Dimensions/Weight:	101 x 25 x 23 mm (4 x 1 x .9")/172g (6oz)

Function	Range	Accuracy
Relative Humidity	0 to 20% & 80 to 100% 20 to 40% & 60 to 80% 40 to 60%	±5.0% ±3.5% ±3.0%
Temperature	-40 to -10°C & +40 to +70°C 10 to +40°C -40 to +14°F & 104 to 158°F +14 to +104°F	±2°C ±1°C ±3.6°F ±1.8°F
Dew point Temperature	-40 to 70°C (-40 to 158°F)	±2.0°C (±4.0°F)

Battery Replacement

Only use 3.6V lithium batteries. Before replacing the battery, remove the data logger from the PC. Follow steps 1 through 4 below:

1. Use a pointed object (eg. a small screwdriver) to open the casing. Lever the casing off in the direction of the arrow.
2. Pull the datalogger from the casing.
3. Replace/insert the battery into the battery compartment observing the right polarity. The two displays briefly light up for control purposes (alternating green/yellow/green).
4. Slide the datalogger back into the casing until it snaps into place. Now the datalogger is ready for programming.



NOTE:

Leaving the model plugged into the USB port for longer than necessary will cause some loss of the battery capacity.

WARNING:

Handle lithium batteries carefully, observe warnings on battery casing. Dispose of in accordance with local regulations.

