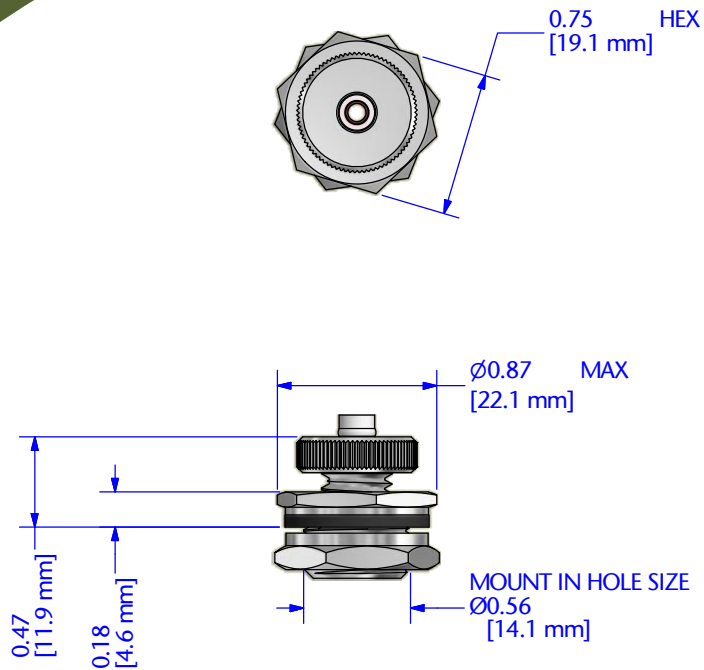


# CF200

## Panel Mount Compression Fitting Dimension Drawing

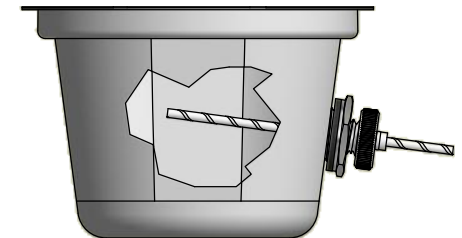
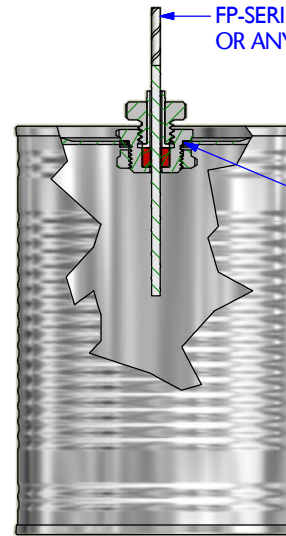
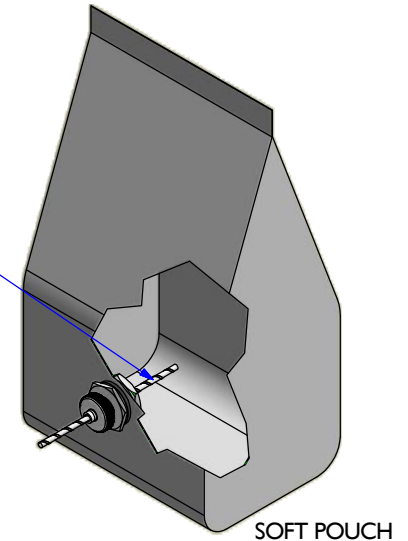


SUITABLE FOR A WIDE VARIETY OF PACKAGING TYPES (UP TO 1/8" WALL THICKNESS)

POUCH INSTALLATION OMITTS PROBE SHEATH TO PREVENT PUNCTURING THE PACKAGING

COMPATIBLE WITH MADGETECH FP-SERIES DATA LOGGERS OR ANY PROBE 0.080" - 0.125" OD

INSTALLS INTO 9/16" HOLE (COMPATIBLE WITH ECKLUND-HARRISON PUNCH TOOLS)



Product:

CF200

Scale:

n/a

Materials:

AISI 316 STAINLESS STEEL  
SILICONE RUBBER  
PTFE

Notes:

USE BLACK RUBBER FERRULE FOR PROBES 0.080" TO 0.100"  
USE RED RUBBER FERRULE FOR PROBES 0.100" TO 0.125"