

Specifications

Current Measurement	0-2000A @ 300V
Output Signal	4-20mA
Output Limit	112% of standard output range maximum value
Frequency Range	40-400Hz
Response Time	600ms (to 90% step change)
Accuracy	1.0% FS (10-100% of range)
Loading	500 ohm maximum
Power Supply	24VDC Nominal, 12-36 Volts Use Class 2 power supply or limited power supply only
Isolation Voltage	Tested to 3.5kV
Case	UL 94V-0 Flammability rated thermoplastic
Environmental	-20 to 50 °C, (-4 to 122 ° F) 0-95% RH, non-condensing Pollution Degree 2 Altitude to 2000 meters
Listing	UL/cUL CE
Termination	Tighten terminals to 4 in-lbs

For products intended for the EU market, the following is applicable to the CE compliance of the product:

The ATCR series comply with EN 61010-1 CAT III 300Vrms max line-to-neutral measurement category. If insulated cable is used for the primary circuit, the voltage rating of the measurement category can be improved according to the insulation characteristics given by the cable manufacturer. Use 24 V input power and fuse at 5 amps. Power source overvoltage category I as defined per EN 61010-1.

Warning! Risk of danger

Safe operation can only be guaranteed if the transducer is used for the purpose for which it was designed and within the limits of the technical specifications. When this symbol is used, it means you must consult all documentation to understand the nature of potential hazards and the action required to avoid them.



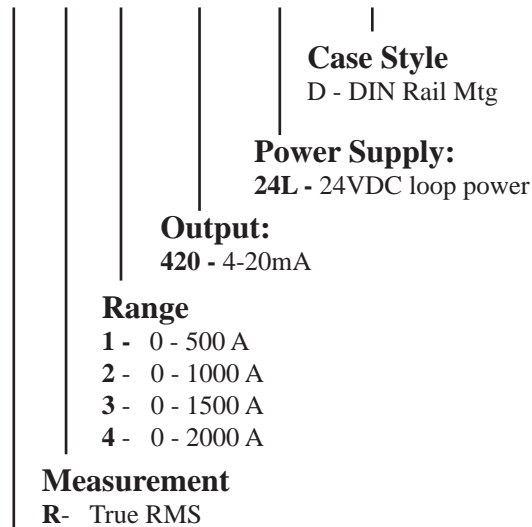
Warning! Risk of electrical shock

When operating the transducer certain parts may carry hazardous voltage (e.g. primary conductor, power supply). The transducer should not be put into operation if the installation is not complete.



Model Number Key

ATC R 1 - 420 - 24L - D



Sensor Type:

ATC Flexible Coil AC current transducer

Know Your Power



Other NK Technologies Products Include:

AC & DC Current Transducers
AC & DC Current Operated Switches
1 ϕ & 3 ϕ Power Transducers
Current & Potential Transformers (CTs&PTs)



NK Technologies

3511 Charter Park Drive
San Jose, CA 95136

Phone: 800-959-4014 or 408-871-7510

Fax: 408-871-7515

sales@nktechnologies.com, www.nktechnologies.com



INSTRUCTIONS



ATCR SERIES

Flex Coil AC Current Transducers

4-20mA Output
True RMS

Quick "How To" Guide

1. Wrap the sensing coil around the conductor you are monitoring, and snap the loose end into the block .
2. Mount the base integrator to DIN rail or similar method.
3. Connect output wiring.
 - A. Use up to 14 AWG copper wires, 60/75° C copper conductors only
 - B. Make sure output load does not exceed product specifications.
 - C. Connect proper power supply and load in series.
 - D. Tighten screw terminals to 4 in-lbs

Description

ATCR Series transducers utilize a flexible coil to surround the conductor(s), connected as a matched set with a factory calibrated integrating signal conditioner. This provides high accuracy, lower wiring costs, easier installation and saves valuable panel space. ATCR Series products are available in flexible core with 4-20mA outputs.

ATCR Series products feature a True RMS output designed for applications on distorted current waveforms such as VFD outputs, or sinusoidal waveforms.

Installation

Wrap the flexible sensing coil around the conductor(s), once and reconnect the open end to the connecting block on the cable.

ATCR Series transducers are designed for use in the same environment as motors, contactors, heaters, pull-boxes, and other electrical enclosures.

Mount ATCR transducer using a standard DIN rail, taking care to maintain at least one-inch clearance in all directions between the sensing coil and other magnetic devices for proper operation. *Note: The transducer is not sensitive to current flow direction, so the transducer label side can face either the source or the load, and the transducer base can be mounted in any position.*

It is not recommended to wrap the sensing coil around the conductor more than once. Multiple wraps of the coil around the conductor will decrease the sensor accuracy, and may produce an unreliable output signal.

Notes

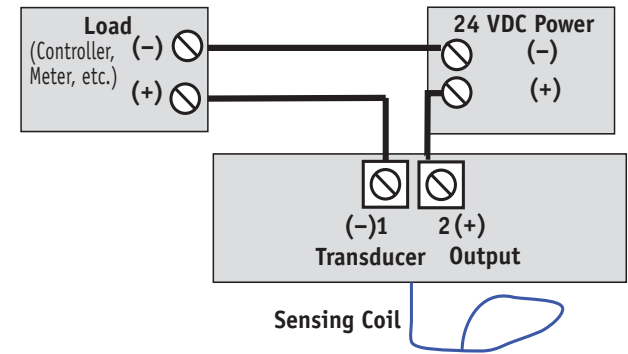
The protection provided by this device may be impaired if it is used in a manner not specified by NK Technologies

Output Wiring

Connect control or monitoring wires to the sensor. Use up to 14 AWG copper wire and tighten terminals to 4 inch-pounds torque. Be sure the output load does not exceed 500 Ohms for product with the 4-20 mA output.

Connection Notes:

- Captive screw terminals.
- 14-22 AWG solid or stranded.
- Observe Polarity of Output Connections.
- See label for range limitations



Note: The coil and the signal conditioner are matched and calibrated at the factory. If the coil is damaged in the field, please return both pieces as a set to the factory after obtaining authorization.

Range Select

ATCR Series transducers feature a single, factory calibrated range. There is no need for time consuming and inaccurate field setting of zero or span.

1. Determine the normal operating amperage of your monitored circuit.

2. Select the model with a range that is equal to or higher than the normal operating amperage.

Trouble Shooting

1. Sensor has low or no output

- A. Power supply is not properly sized. *Check power supply voltage and current rating.*
- B. Polarity is not properly matched. *Check and correct wiring polarity.*
- C. Monitored load is not AC or is not on. *Check that the monitored load is AC and that it is actually on.*

2. Output Signal Too Low

- A. Range may be too high for the current being monitored. *Select model carefully.*
- B. Input load (monitored current) is below minimum required. *Loop the monitored wire several times through the aperture until the "sensed" current rises above minimum. Sensed Amps = (Actual Amps) x (Number of Loops). Count loops on the inside of the aperture.*

3. Output Signal is constant at 20mA

- A. Range may be too low for current being monitored. *Select different ATCR model with higher range.*

4. Output Signal is constant at 4mA

- A. Double check the output wiring. Reversed polarity may cause this result.