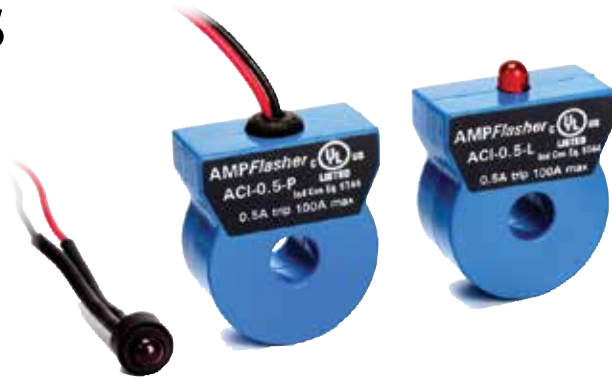


AMPFlasher™ ACI SERIES

AC Current Indicators

The AMPFlasher™ ACI Series Current Indicator is a compact, inexpensive, easy-to-use LED ring which slips onto a conductor to give a flashing indication of current flow. Ideal for use in control panels, or wherever confirmation of current flow is desired. AMPFlasher™ current indicators are a cost-effective way to detect live conductors and see current flow to fans, heaters, pumps, lighting or other powered devices.



AC Current Indicator Applications

- Quick visual status of electric motor load.
- Identify open heater circuit connection.
- Provide panel mounted indication of current draw on monitored load.
- Confirmation of operation for critical lighting or equipment.

AC Current Indicator Features

Low Sensitivity Turn-on Point

- Detect currents as low as 0.5 A with a single conductor pass, eliminates the need to wrap conductors through multiple times to increase sensitivity.

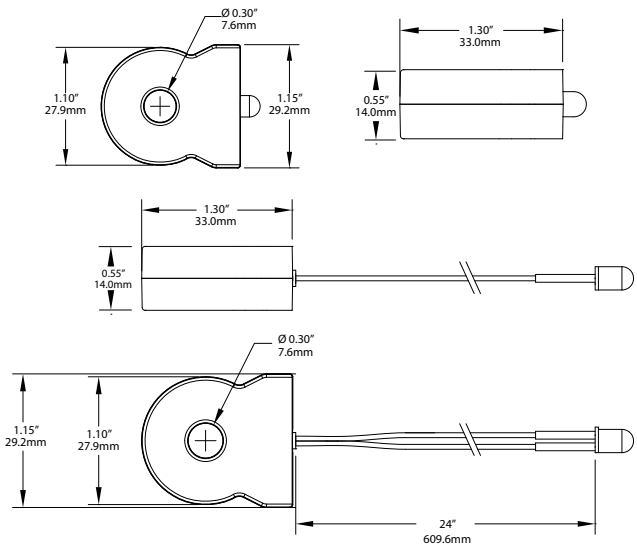
High Visibility Flashing LED

- Flashing LEDs perform better in daylight conditions and from multiple angles than constant on LEDs.

Choice of Outputs

- LED output standard, optional LED on 24" pigtails for remote indication.

AC Current Indicator Dimensions



Note: Panel opening should be 0.267 to 0.273", panel thickness 0.32 to 0.125"

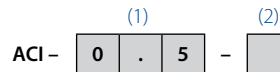
AC Current Indicator Specifications



Output/Indication	• Standard: LED (flashing, red) • Optional: 24" Pigtails for Remote LED
Indicating Range	0.5 A–100 A
LED On	<500 mA (factory set)
Maximum Primary Circuit Voltage	300 VAC
Dimensions	• Overall: 1.15"W x 0.55"D x 1.30"H (29.2 mm W x 14.0 mm D x 33.0 mm H) • Aperture: 0.30" (7.6 mm) ID • Pigtails: 24" (609.6 mm)
Case	UL94 V-0 Flammability Rated
Mounting	Slides directly onto monitored conductor
Environmental	-4 to 122°F (-20 to 50°C) 0–95% RH, non-condensing
Frequency Response	50–400 Hz
Listings	UL/cUL, CE

AC Current Indicator Ordering Information

Sample Model Number: ACI-0.5-L.
Current Indicator with 0.5 A sensitivity and red flashing LED.



(1) Sensitivity Level

0.5	500 mA
-----	--------

(2) Indication/Output

L	LED (flashing, red)
P	24" Pigtails for remote LED

