

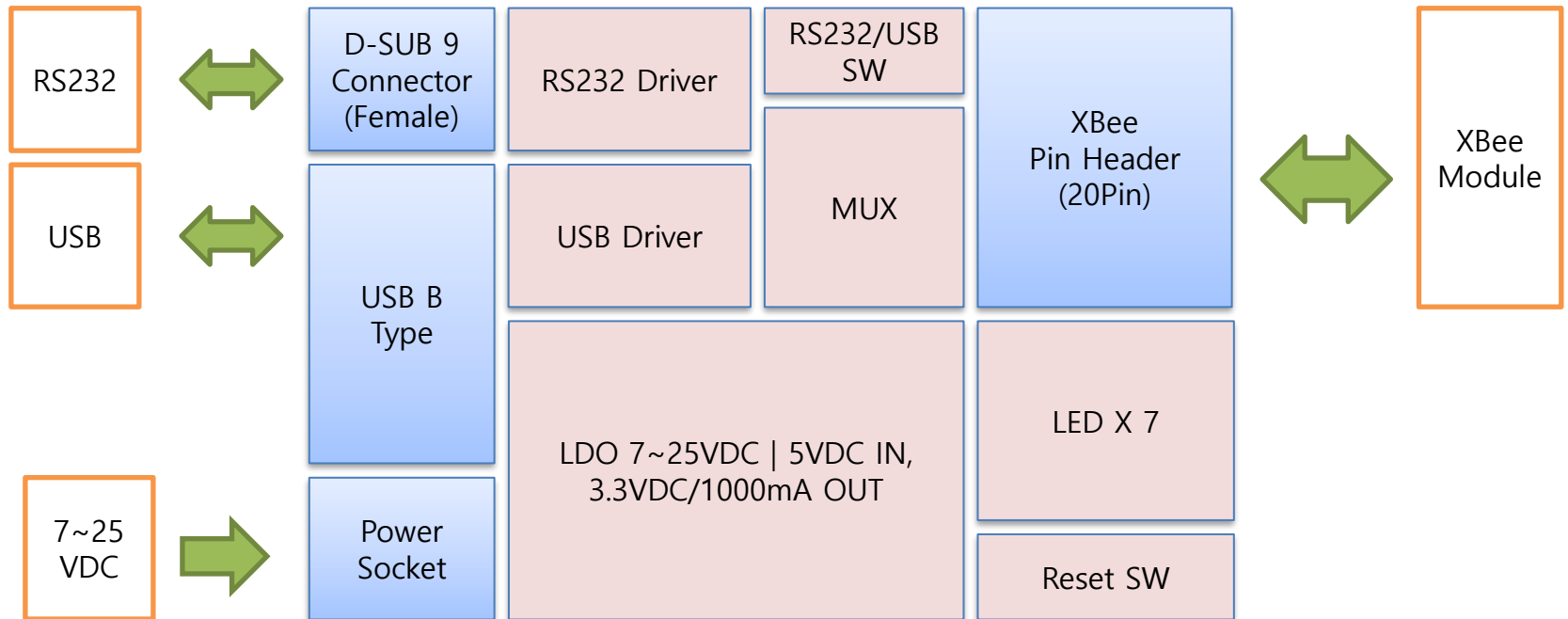
XBTB-M User Manual



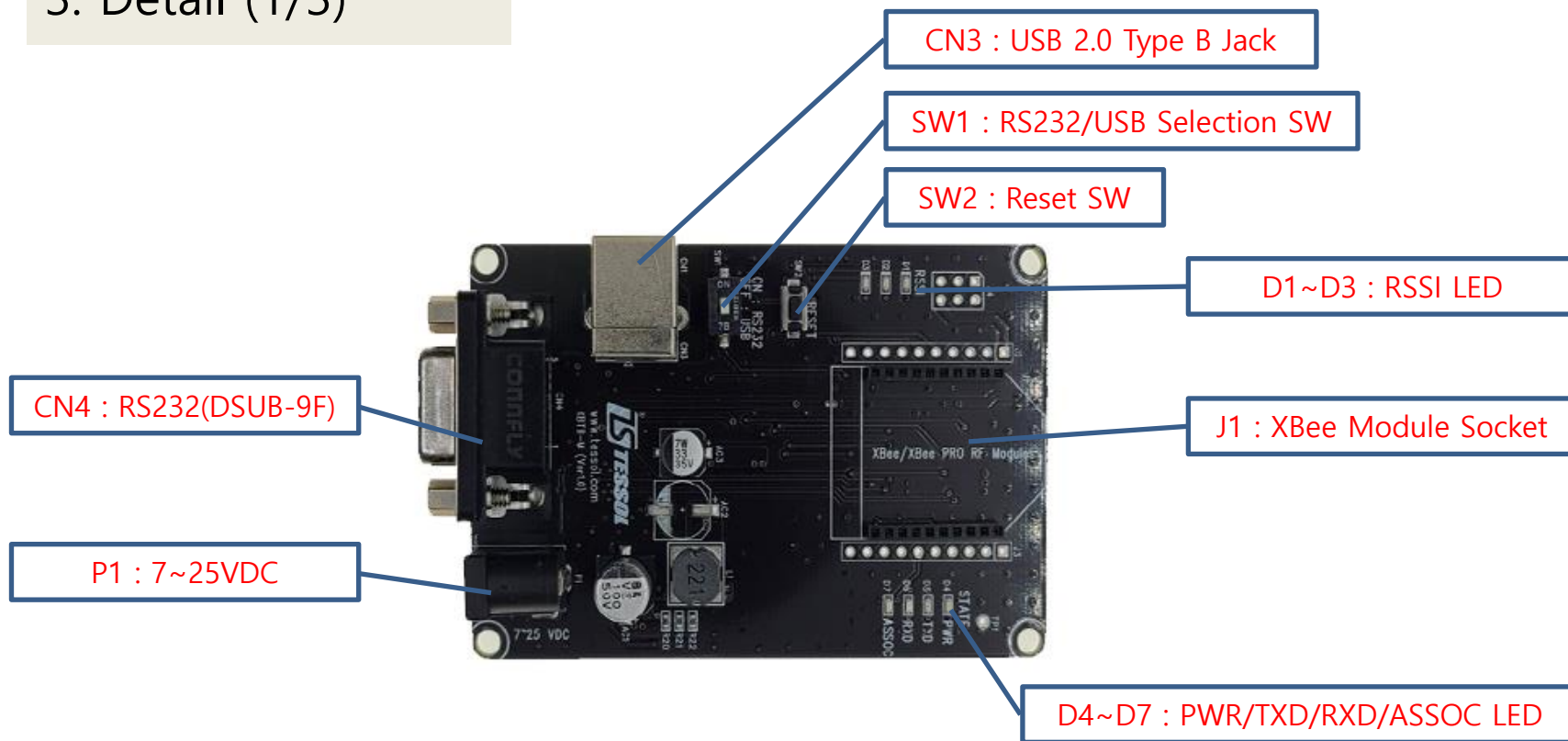
1. Features

- Input Voltage : 7~25 VDC
- Compatibility with Digi XBEE Modules
- RS232/USB Interface (Optional Enable)
- PWR, TXD, RXD, ASSOC LED
- DIGI XCTU program available
- RSSI Level LED
- 5VDC USB power available

2. Board Configuration



3. Detail (1/3)



3. Detail (2/3)

RSSI Level LED			
PART	NAME	COLOR	Note
D1	Upper	G1	Off : < 10dB G1 On : > 10dB G1,G2 On : > 20dB ALL On : > 30dB
D2	Middle	G2	
D3	Lower	G3	

PWR/TXD/RXD/ASSOC LED			
PART	NAME	COLOR	Note
D4	PWR	R	
D5	TXD	R	
D6	RXD	R	
D7	ASSOC	R	

CN4 (RS232 D-SUB9-F)		
PIN	NAME	Note
1	N.C	
2	TXD	Out
3	RXD	In
4	DSR	In
5	GND	Power
6	N.C	
7	CTS	In
8	RTS	Out
9	N.C	

3. Detail (3/3)

CN3 (USB Type B Jack)

PIN	NAME	Note
1	VBUS	5VDC
2	USBDM	D-
3	USBDP	D+
4	GND	GND

SW1 (RS232/USB 선택 SW)

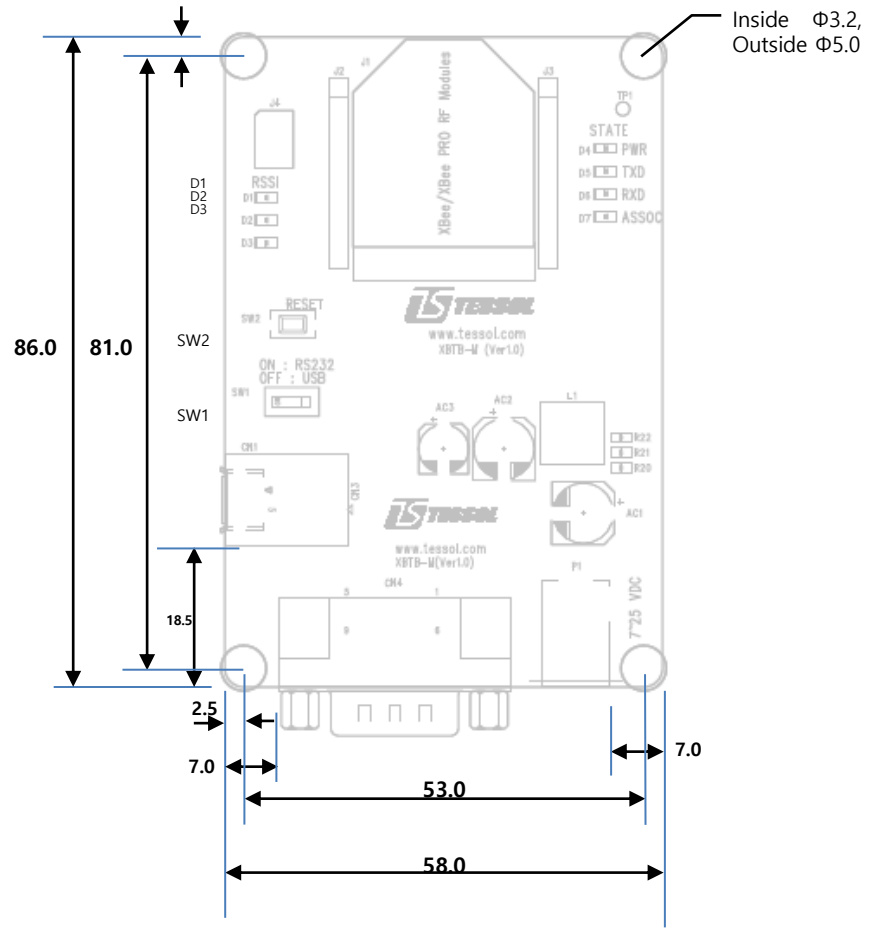
PIN	NAME	Note
1	RS232/USB	On : RS232 Off : USB

4. Interface

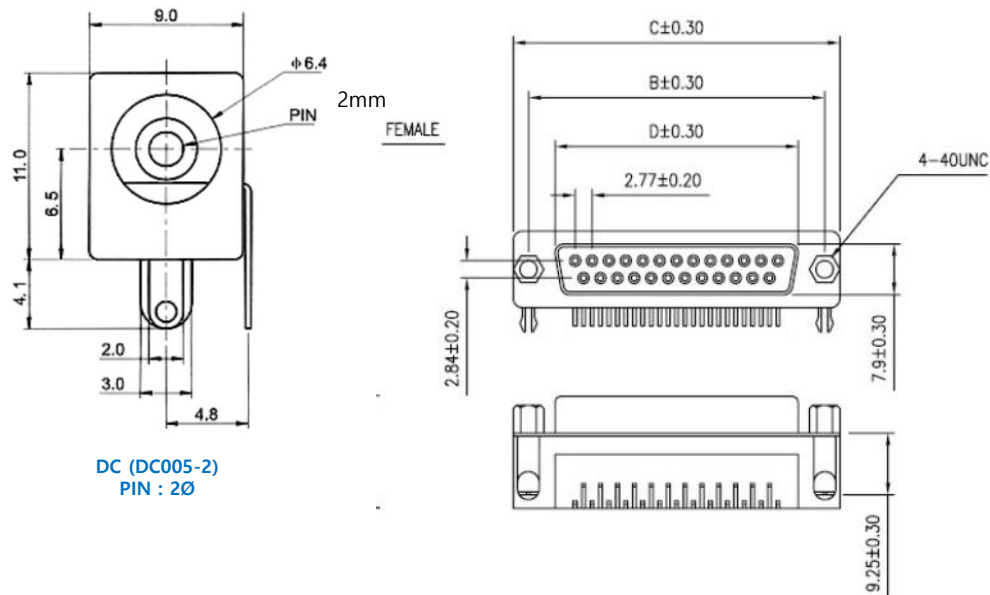
JP1 (RS485/RS422)

Interface	SW1	Note
RS232	SW1 : ON	PC <-> Direct Cable(DSUB9 male)
USB	SW1 : OFF	PC <-> USB 2.0 Type B Plug Cable

5. Dimension



6. Parts

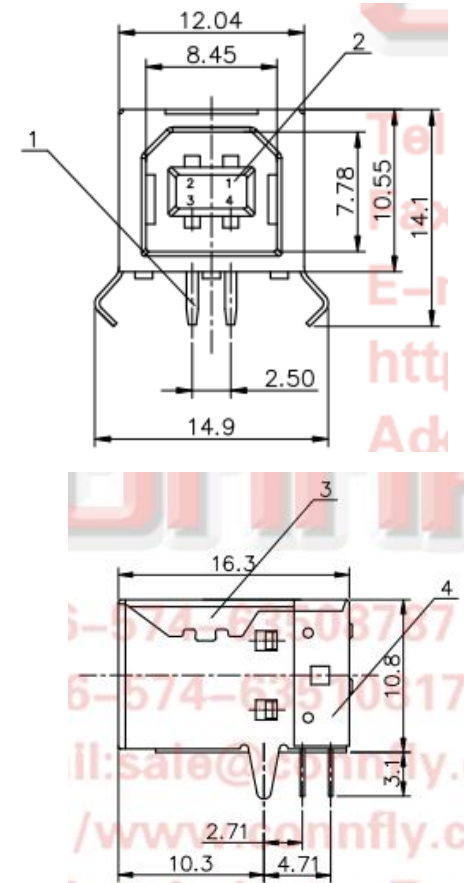


DC (DC005-2)
PIN : 2Ø

PART NO.	A	B	C	D
DS11-X-09-S1	16.92	24.99	30.81	16.33

D-SUB_ANGLE 9P

USB DS1099



7. Support

- ❖ USB Driver : <http://www.ftdichip.com/Drivers/D2XX.htm>
- ❖ Web-page : <http://www.tessol.com>
- ❖ Email : sales@tessol.com